

SERIES

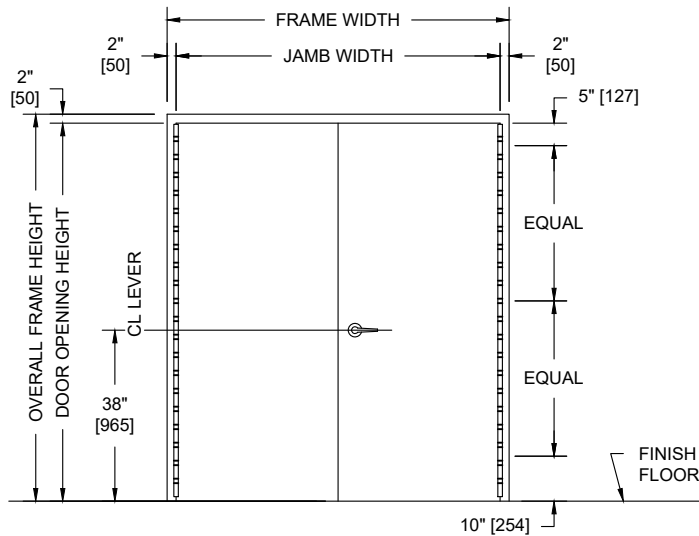
BRW

OVERLY

DOOR COMPANY

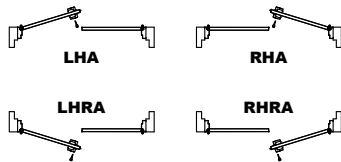
574 WEST OTTERMAN STREET
 POST OFFICE BOX 70
 GREENSBURG, PA 15601-0070
 TELEPHONE: 724-834-7300
 FAX: 724-830-2871

UL752 LEVEL 7, FLUSH, NON-UL FIRE RATED PAIR WITH METAL FRAME AND WOOD DOOR ASSEMBLY



PUBLIC SIDE ELEVATION
 RIGHT HAND REVERSE BEVEL SHOWN

SECURE AREA (INTERIOR)

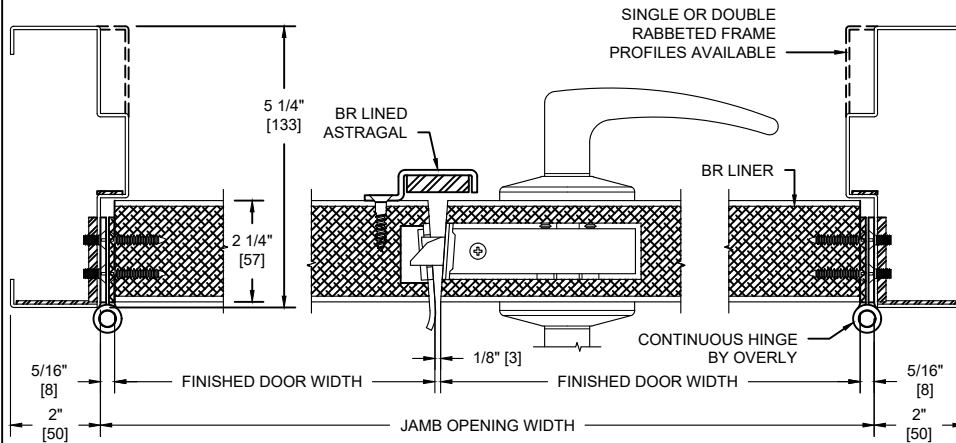


(KEY) SIDE

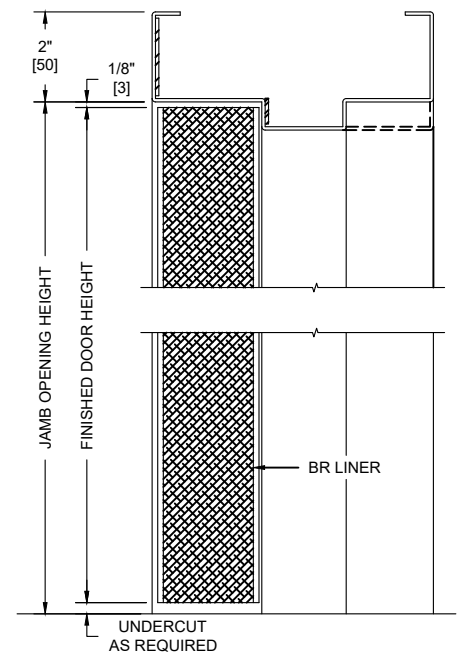
PUBLIC AREA (EXTERIOR)

NOTES:

1. Frame and astragal UL listed for UL752, Level 7 bullet resistance. Doors fabricated using UL752 listed, Level 7 fiberglass BR liner.
2. Doors are for interior use only.
3. Doors hung in carbon steel frame. All exposed surfaces of frame to receive one coat of rust inhibitive prime paint.
4. Units cannot be UL fire rated.
5. Maximum door leaf size is 4'-0" x 10'-0" for an 8'-0" x 10'-0" maximum opening size.
6. Door weight is 18.0 pounds / sq. foot.
7. Doors to be hung on continuous hinges by Overly. Locks required to be BHMA Grade 1, 2, or 3. Electrical hardware with raceways available. Consult factory for specifics.
8. MDO and veneer faces available in unfinished, primed, clear, or custom stains. Plastic laminates also available.
9. Pairs of UL 752 bullet resistant doors must be equipped with an overlapping astragal by Overly with same rating as door and frame.



HORIZONTAL SECTION



VERTICAL SECTION

UL LEVEL	AMMUNITION	MINIMUM VELOCITY FPS/MPs	NUMBER OF SHOTS
7	5.56 RIFLE FULL METAL COPPER JACKET WITH LEAD CORE	3080 / 939	5