

# SERIES

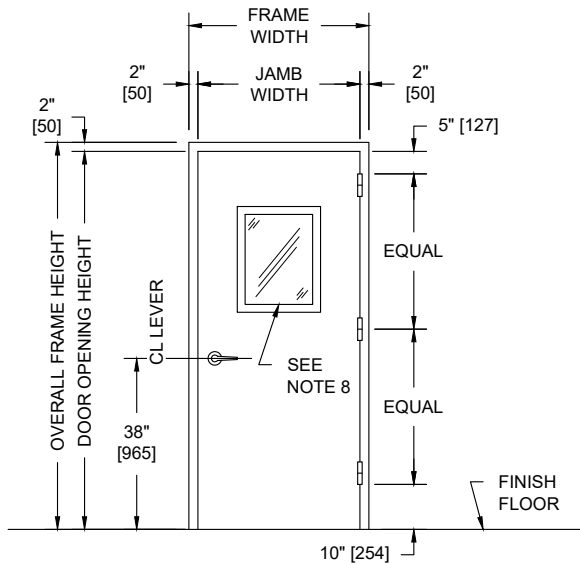
# BRW

# OVERLY

DOOR COMPANY

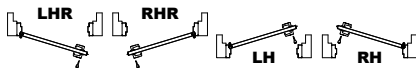
574 WEST OTTERMAN STREET  
 POST OFFICE BOX 70  
 GREENSBURG, PA 15601-0070  
 TELEPHONE: 724-834-7300  
 FAX: 724-830-2871

## UL752 LEVEL 1, VISION LIGHT, NON-UL FIRE RATED SINGLE SWING METAL FRAME AND WOOD DOOR ASSEMBLY



**PUBLIC SIDE ELEVATION**  
 RIGHT HAND REVERSE BEVEL SHOWN

**SECURED AREA (INTERIOR)**

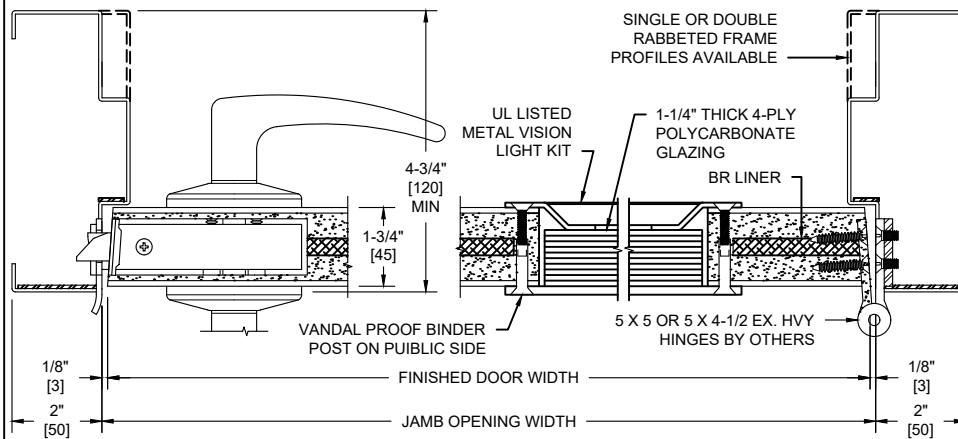


**(KEY) SIDE**

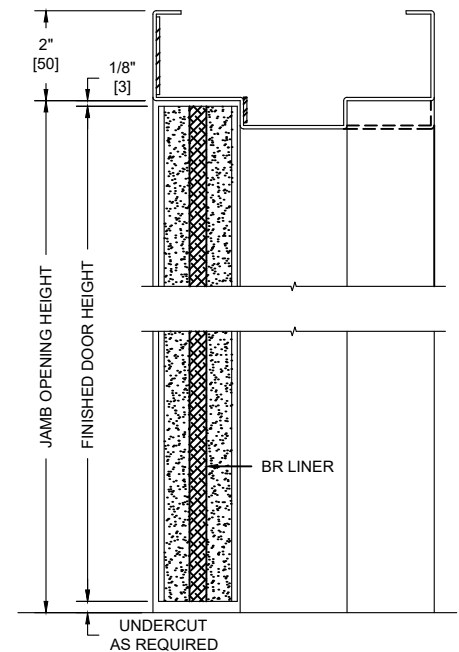
**PUBLIC AREA (EXTERIOR)**

**NOTES:**

- Both door, frame and vision light kit UL listed for UL752, Level 1 bullet resistance.
- Doors are for interior use only.
- Doors hung in carbon steel frame. All exposed surfaces of frame to receive one coat of rust inhibitive prime paint.
- Maximum door leaf size is 4'-0" x 10'-0".
- Door weight is 10.1 pounds / sq. foot.
- Doors recommended to be hung on 5" heavy weight or continuous hinges. Locks required to be BHMA Grade 1, 2, or 3. Electrical hardware with raceways available. Consult factory for specifics.
- MDO and veneer faces available in unfinished, primed, clear, or custom stains. Plastic laminates also available.
- Doors equipped with factory glazed UL Level 1, 4-ply polycarbonate laminate with metal glazing system. 8" minimum stile, 6" minimum top rail. 12" minimum bottom rail. 3-1/2" minimum distance between light and lock.



**HORIZONTAL SECTION**



**VERTICAL SECTION**

UL LEVEL	AMMUNITION	MINIMUM VELOCITY FPS/MP5	NUMBER OF SHOTS
1	9mm FULL METAL COPPER JACKET WITH LEAD CORE	1175 / 358	3