

SERIES

BRW

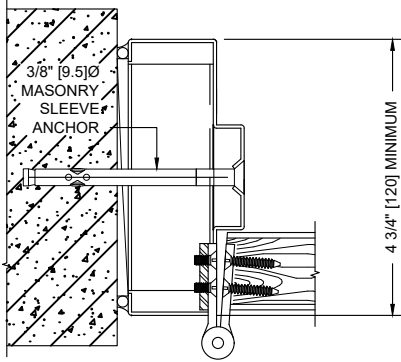
OVERLY DOOR COMPANY

574 WEST OTTERMAN STREET
POST OFFICE BOX 70
GREENSBURG, PA 15601-0070
TELEPHONE: 724-834-7300
FAX: 724-830-2871

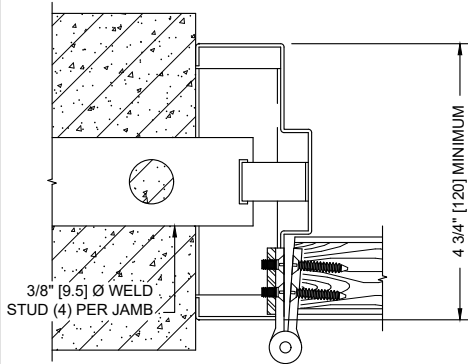
TYPICAL METAL FRAME WALL ANCHORAGE SYSTEMS FOR UL 752 LEVELS 1-8 BULLET RESISTANT WOOD DOORS

NOTES:

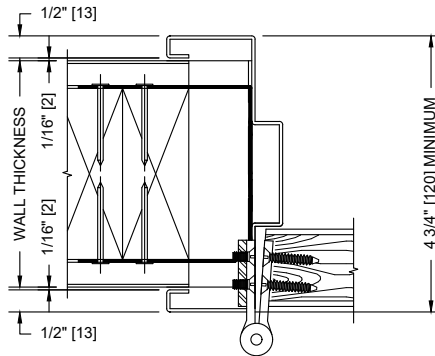
1. Verify wall construction utilized on project is capable of handling weight of door provided.
2. For anchorage systems used in metal stud wall construction, wood blocking required inside steel channel.
3. Custom frame profiles and anchorage options available. Consult factory with your specific project needs.



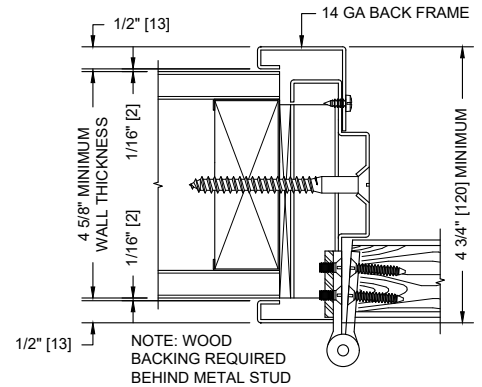
**BOLT IN INSTALLATION
IN EXISTING POURED CONCRETE WALL
OR EXISTING MASONRY WALL**



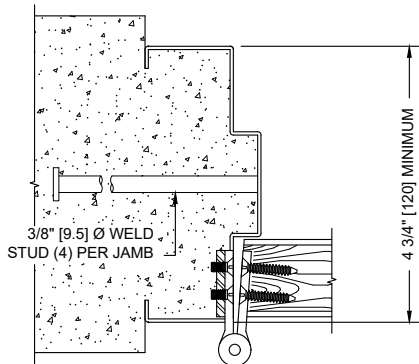
**BUILT-IN INSTALLATION
IN NEW MASONRY WALL**



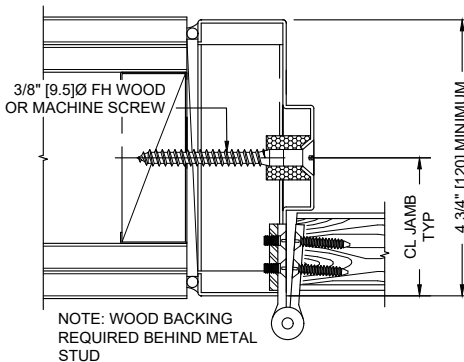
**NAILING CLIP INSTALLATION
IN NEW WOOD STUD WALL**



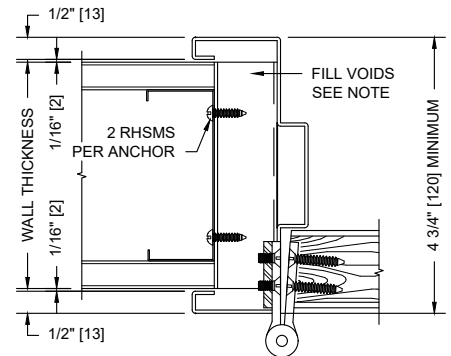
**OPTIONAL SPLIT TYPE FRAME
FOR BOLT IN INSTALLATION IN
EXISTING STUD WALL**



**BUILT IN INSTALLATION
IN NEW POURED CONCRETE WALL**



**BOLT-IN INSTALLATION
IN EXISTING STUD WALL**



**BUILT-IN INSTALLATION
IN NEW STUD WALL**