

SERIES

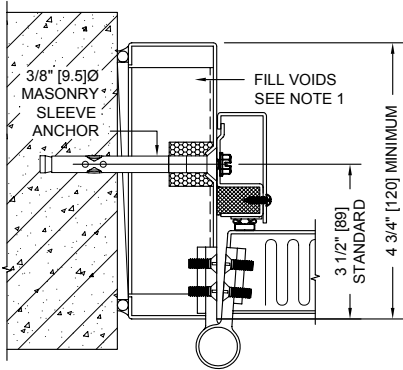
SC

OVERLY

DOOR COMPANY

574 WEST OTTERMAN STREET
 POST OFFICE BOX 70
 GREENSBURG, PA 15601-0070
 TELEPHONE: 724-834-7300
 FAX: 724-830-2871

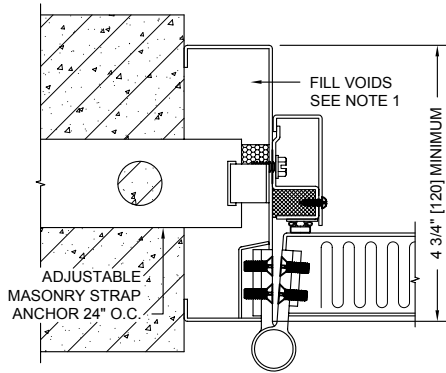
TYPICAL SOUND CONTROL WALL ANCHORAGE SYSTEMS FOR 1-3/4" THICK METAL ACOUSTICAL DOOR WITH SINGLE MAGNETIC PERIMETER SEALS



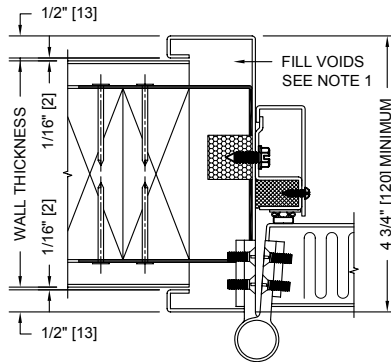
**BOLT IN INSTALLATION
 IN EXISTING POURED CONCRETE WALL
 OR EXISTING MASONRY WALL**

NOTES:

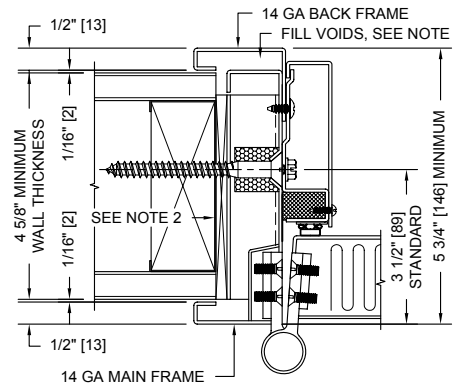
1. Head and jams of frames equipped with masonry anchors must be grouted full in field. Bolt-in type frames must have all voids in head and jams packed with 6 to 12 pound density mineral wool and all voids between wall and frame continuously caulked.
2. For anchorage systems used in all steel or wood stud walls, it is recommended a structural tube or reinforced stud is run from and anchored to floor slab and ceiling structure above.
3. Custom frame profiles and anchorages available. Consult factory with your specific project needs.



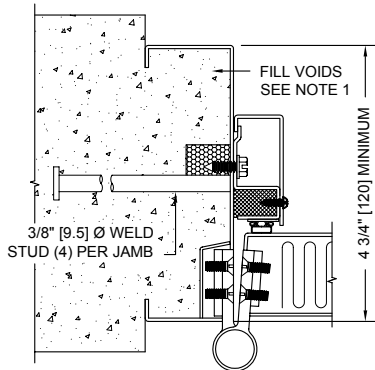
**BUILT-IN INSTALLATION
 IN NEW MASONRY WALL**



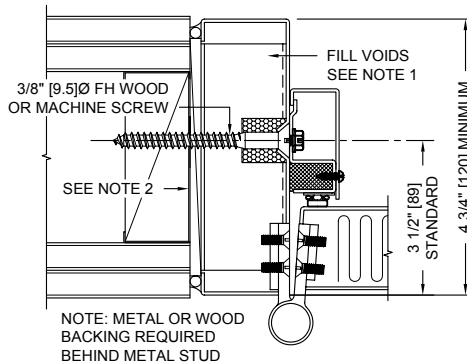
**NAILING CLIP INSTALLATION
 IN NEW WOOD STUD WALL**



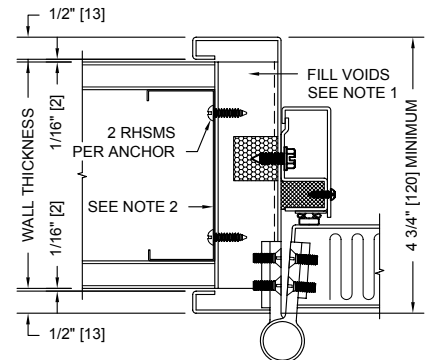
**OPTIONAL SPLIT TYPE FRAME
 FOR BOLT IN INSTALLATION IN
 EXISTING STUD WALL**



**BUILT IN INSTALLATION
 IN NEW POURED CONCRETE WALL**



**BOLT-IN INSTALLATION
 IN EXISTING STUD WALL**



**BUILT-IN INSTALLATION
 IN NEW STUD WALL**