

SERIES

SC

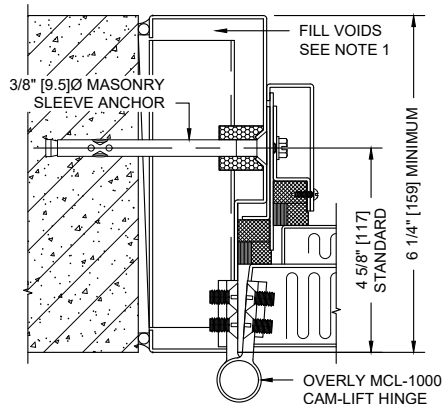
OVERLY DOOR COMPANY

574 WEST OTTERMAN STREET
POST OFFICE BOX 70
GREENSBURG, PA 15601-0070
TELEPHONE: 724-834-7300
FAX: 724-830-2871

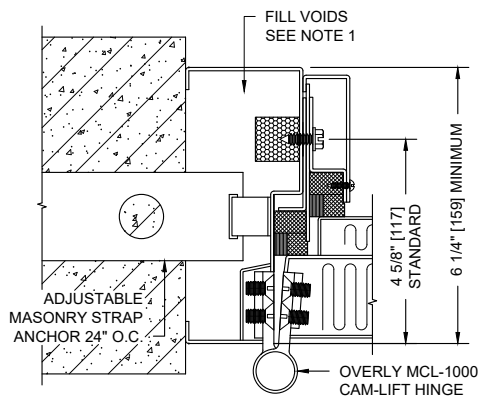
TYPICAL SOUND CONTROL WALL ANCHORAGE SYSTEMS FOR 2-3/4" THICK METAL ACOUSTICAL DOOR WITH DUAL COMPRESSION PERIMETER SEALS

NOTES:

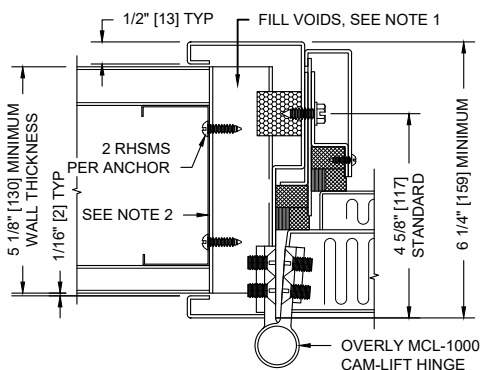
1. Head and jambs of frames equipped with masonry anchors must be grouted full in field. Bolt-in type frames must have all voids in head and jambs packed with 6 to 12 pound density mineral wool and all voids between wall and frame continuously caulked.
2. For anchorage systems used in all steel or wood stud walls, it is recommended a structural tube or reinforced stud is run from and anchored to floor slab and ceiling structure above.
3. Custom frame profiles and anchorages available. Consult factory with your specific project needs.



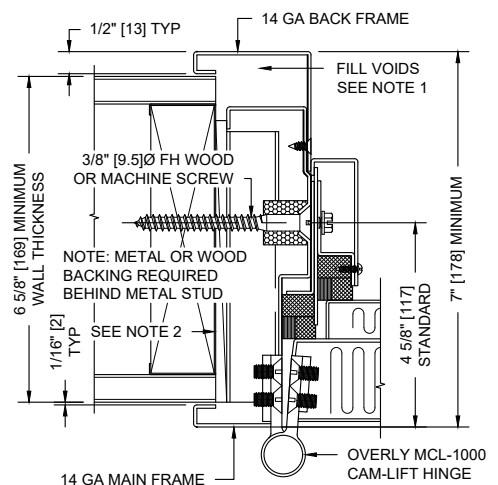
**BOLT IN INSTALLATION
IN EXISTING POURED CONCRETE WALL
OR EXISTING MASONRY WALL**



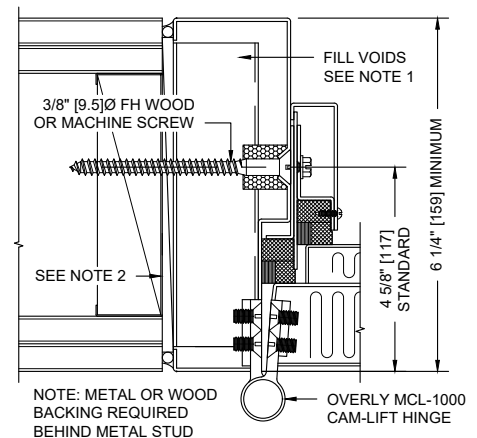
**BUILT-IN INSTALLATION
IN NEW MASONRY WALL**



**BUILT-IN INSTALLATION
IN NEW STUD WALL**



**OPTIONAL SPLIT TYPE FRAME
FOR BOLT IN INSTALLATION IN
EXISTING STUD WALL**



**BOLT-IN INSTALLATION
IN EXISTING STUD WALL**

ALL DIMENSIONS
BOTH IN INCHES
AND MILLIMETERS