

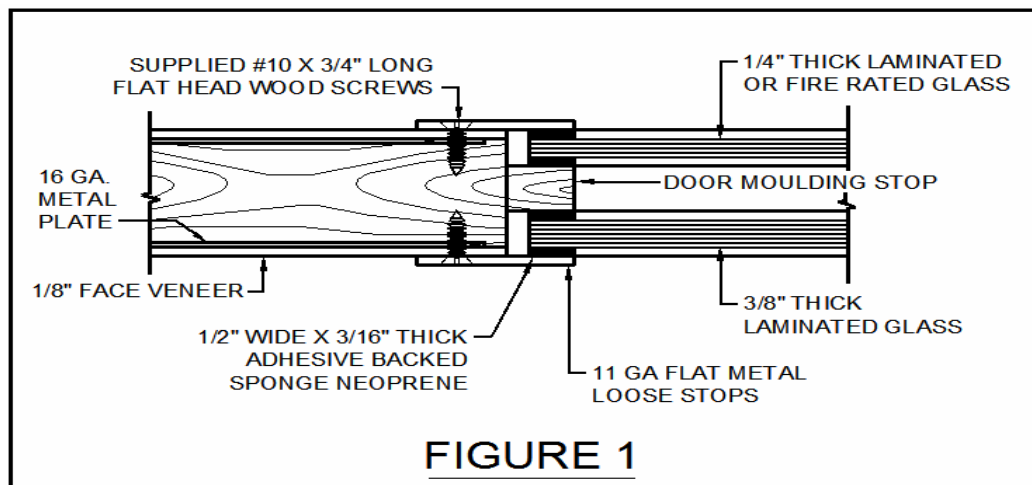
Supplemental Installation Instructions

Dual Glazed Vision Lights Kits for Wood Acoustical Doors

Introduction:

These installation instructions are to be used for glazing **Overly Acoustical Wood Doors** which require a dual glazed vision light. This type of vision light requires the following components:

- Item 1.** Two pre-drilled and countersunk 11 ga. flat metal loose stops which have been supplied and shipped loose by Overly.
- Item 2.** 1/2" wide x 3/16" thick adhesive backed sponge neoprene in sufficient length to glaze vision light as shown in Figure 1 below, which has been supplied and shipped by Overly.
- Item 3.** One (1) piece of 1/4" thick Laminated or Fire rated glass and one (1) piece of 3/8" Laminated glass. Glass may be provided by Overly or by another outside source. Check shop drawings and packing lists to identify glass type and supplier.
- Item 4.** #10 x 3/4" long flat head wood screws for fastening loose stops to door, provided in a polybag with shipment by Overly.



Installation:

- Step 1.** Align the 11 ga. flat loose stops on each side of the door faces matching the clear openings of the loose stops with that of the door cut-out, and pre-drill each hole for the #10 x 3/4" screws. Due to the unique construction of this Acoustical door, you will be match drilling thru the 1/8" face veneer and a 16 ga. Steel Plate. Metal drill bits must be used.
- Step 2.** Locate 3/16" thick x 1/2" wide adhesive backed neoprene. On both pieces of the 11 ga. Flat metal loose stops, apply the neoprene around entire frame perimeter as shown in Figure 1 below.
- Step 3.** On both sides of the door moulding stop, apply the neoprene around entire frame perimeter as shown in Figure 1 below.
- Step 4.** To determine which side of the door receives the 1/4" thick glass, measure the distance from the stop of door moulding out to the face of the door from both sides. The smaller of the two dimensions is for the 1/4" thick glass. Lay in piece of 1/4" thick glass and apply loose stop to door with #10 x 3/4" long flat head wood screws provided.

Caution: Do not overtighten fasteners. It is recommended to tighten fasteners in an alternating sequence to ensure balance of compression.

- Step 5.** Repeat for the piece of 3/8" thick glass.