

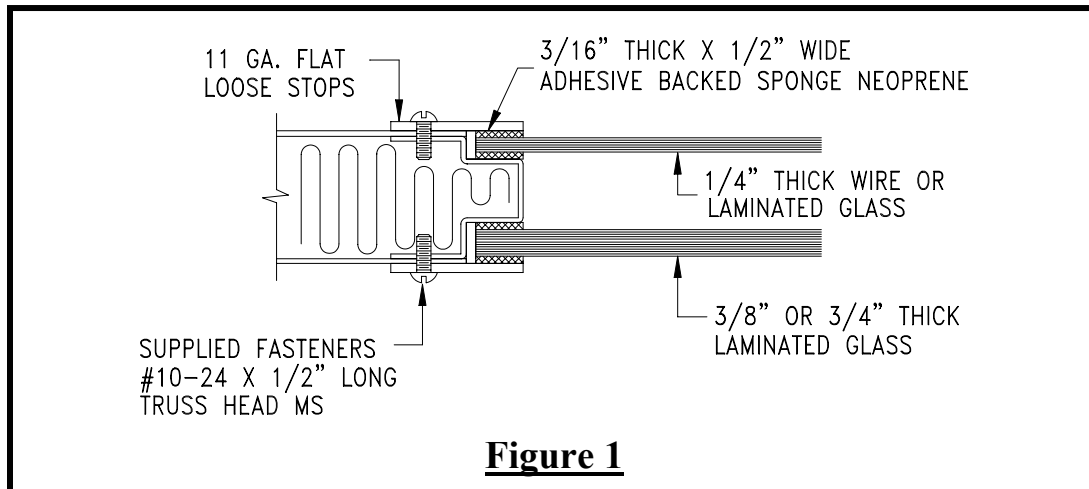
Supplemental Installation Instructions

Typical Dual Glazed Vision Light Kit

Introduction:

These installation instructions are to be used for glazing Overly Acoustical doors which require a dual glazed vision light. This type of vision light requires the following components:

- Item 1.** Two 11 ga. flat loose stops which have been shipped applied to the door with four (4) screws per loose stop.
- Item 2.** 1/2" wide x 3/16" thick adhesive backed sponge neoprene in sufficient length to glaze vision light as shown in Figure 1 below.
- Item 3.** One (1) piece of 1/4" thick Laminated or Wire glass and one (1) piece of 3/8" Laminated glass or one (1) piece of 3/4" Laminated glass. Glass may be provided by Overly or by another outside source. Check shop drawings to identify supplier.
- Item 4.** #10-24 x 1/2" long truss head machine screws for fastening loose stops to door.



Installation:

- Step 1.** Remove both 11 ga. flat loose stops from door.
- Step 2.** Locate 3/16" thick x 1/2" wide adhesive backed neoprene. On both pieces of the 11 ga. flat loose stops, apply the neoprene around entire frame perimeter as shown in Figure 1 below.
- Step 3.** On both sides of the door moulding stops, apply the neoprene around entire frame perimeter as shown in Figure 1 below.
- Step 4.** To determine which side of the door receives the 1/4" thick glass, measure the distance from the stop of door moulding out to the face of the door skin from both sides. The smaller of the two dimensions is for the 1/4" thick glass. Lay in piece of 1/4" thick glass and apply loose stop to door with #10-24 x 1/2" long truss head machine screws provided.

Caution: Do not overtighten fasteners. It is recommended to tighten fasteners in an alternating sequence to ensure balance of compression.

- Step 5.** Repeat for the piece of 3/8" or 3/4" thick glass.