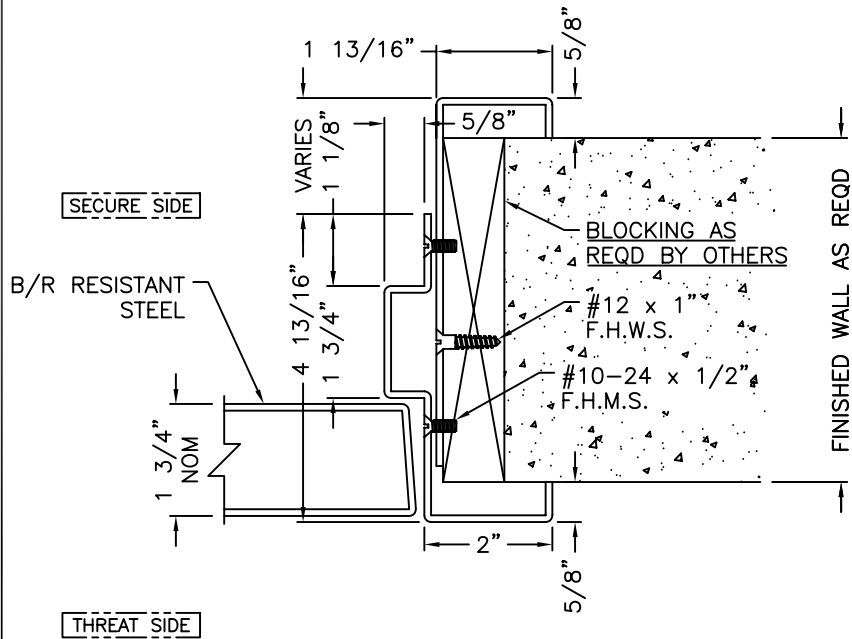


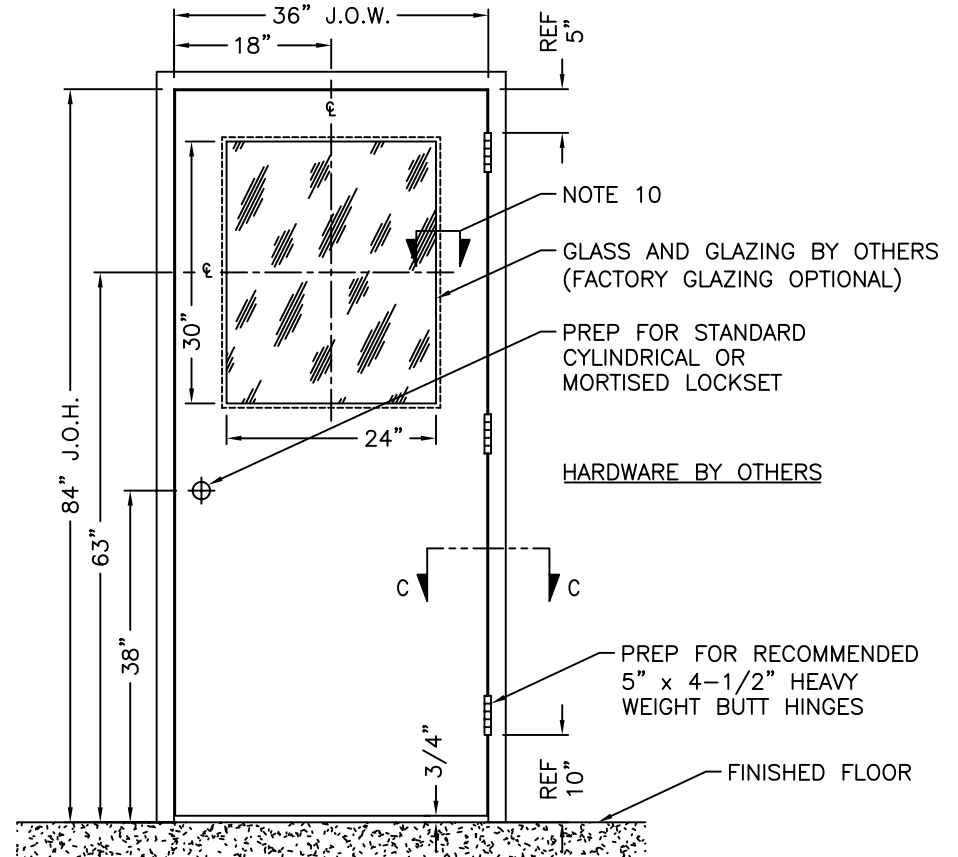
**NOTES:**

- 1) MODEL *DFC* BULLET RESISTANT DOOR W/ CLAMP-ON FRAME
- 2) CARBON STEEL W/ PRIME PAINTED FINISH
- 3) 38-1/2" WIDE x 85-1/4" HIGH MASONRY OPENING
- 4) BACKFRAME ADJUSTS ±1/2" FROM NOMINAL WALL THICKNESS
- 5) *UL* LEVEL 1-3 B/R RATING
- 6) B/R GLASS MUST BEAR A *UL* LISTED LABEL
- 7) 24" W x 30" H CLEAR VISION OPENING MEETS *UL752* CRITERIA
- 8) TRADEMARK OF GLASS SUPPLIER MUST APPEAR ON PUBLIC AREA SIDE WHEN INSTALLING GLASS
- 9) LOOSE STOP FOR B/R GLASS LOCATED ON SECURED AREA SIDE ONLY
- 10) SEE DWG GLZ-001 THRU -004 FOR B/R GLASS GLAZING DETAILS



RHRB SHOWN AS REFERENCE ONLY

SECTION C-C  
JAMB DETAIL



**NOTICE**

THIS DRAWING AND DESIGN ARE THE PROPERTY OF THE OVERLY DOOR COMPANY. THIS DRAWING IS LOANED TO YOU SUBJECT TO THE CONDITION THAT IT SHALL NOT BE REPRODUCED, COPIED, LOANED OR OTHERWISE DISPOSED OF DIRECTLY OR INDIRECTLY. IT SHALL NOT BE USED TO FURNISH ANY INFORMATION FOR THE MAKING OF DRAWINGS, PRINTS OR APPARATUS, OR PARTS THEREOF, EXCEPT WHERE OTHERWISE SPECIFICALLY PROVIDED FOR BY CONTRACT AGREEMENT WITH THE OVERLY DOOR COMPANY.

Model DFGC-02  
Bullet-Resistive Door with  
Clamp-On Frame and 24" x  
30" Clear Vision Lite



574 West Otterman Street  
Greensburg, PA 15601  
Phone: 800-979-7300  
Fax: 724-830-2871  
Email: [overly@overly.com](mailto:overly@overly.com)

DO NOT SCALE DRAWING

DRAWN BY/DATE:	JMC 10/25/2005
CONTROL NUMBER:	DET-148
FILENAME:	cut-dfgc-02.dwg