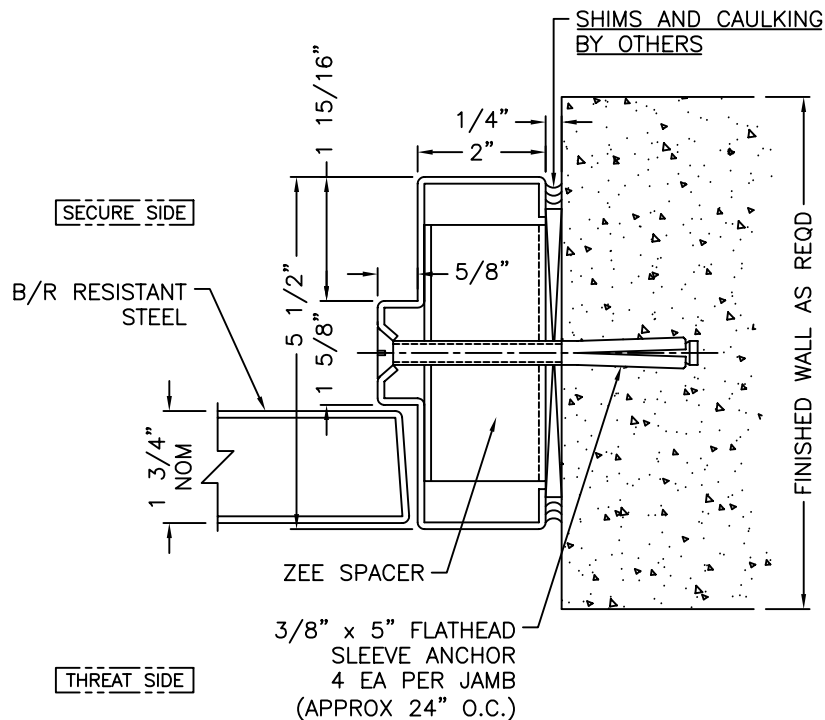


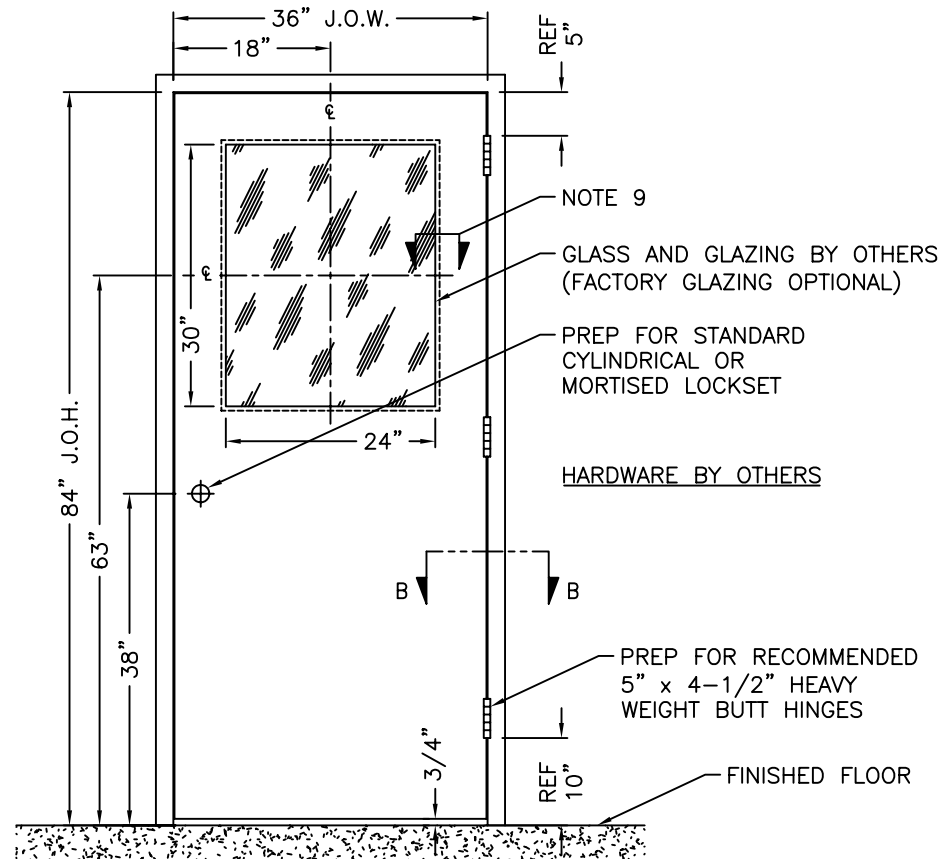
NOTES:

- 1) MODEL *DFB* BULLET RESISTANT DOOR W/ BOLT-IN FRAME
- 2) CARBON STEEL W/ PRIME PAINTED FINISH
- 3) 40-1/2" WIDE x 86-1/4" HIGH MASONRY OPENING
- 4) *UL* LEVEL 1-3 B/R RATING
- 5) B/R GLASS MUST BEAR A *UL* LISTED LABEL
- 6) 24" W x 30" H CLEAR VISION OPENING MEETS *UL752* CRITERIA
- 7) TRADEMARK OF GLASS SUPPLIER MUST APPEAR ON PUBLIC AREA SIDE WHEN INSTALLING GLASS
- 8) LOOSE STOP FOR B/R GLASS LOCATED ON SECURED AREA SIDE ONLY
- 9) SEE DWG GLZ-001 THRU -004 FOR B/R GLASS GLAZING DETAILS



RHRB SHOWN AS REFERENCE ONLY

SECTION B-B
JAMB DETAIL



NOTICE

THIS DRAWING AND DESIGN ARE THE PROPERTY OF THE OVERLY DOOR COMPANY. THIS DRAWING IS LOANED TO YOU SUBJECT TO THE CONDITION THAT IT SHALL NOT BE REPRODUCED, COPIED, LOANED OR OTHERWISE DISPOSED OF DIRECTLY OR INDIRECTLY. IT SHALL NOT BE USED TO FURNISH ANY INFORMATION FOR THE MAKING OF DRAWINGS, PRINTS OR APPARATUS, OR PARTS THEREOF, EXCEPT WHERE OTHERWISE SPECIFICALLY PROVIDED FOR BY CONTRACT AGREEMENT WITH THE OVERLY DOOR COMPANY.

Model DFGB-02
Bullet-Resistive Door with
Bolt-In Frame and 24" x 30"
Clear Vision Lite



574 West Otterman Street
Greensburg, PA 15601
Phone: 800-979-7300
Fax: 724-830-2871
Email: overly@overly.com

DO NOT SCALE DRAWING

DRAWN BY/DATE:	JMC 10/25/2005
CONTROL NUMBER:	DET-145
FILENAME:	cut-dfgb-02.dwg