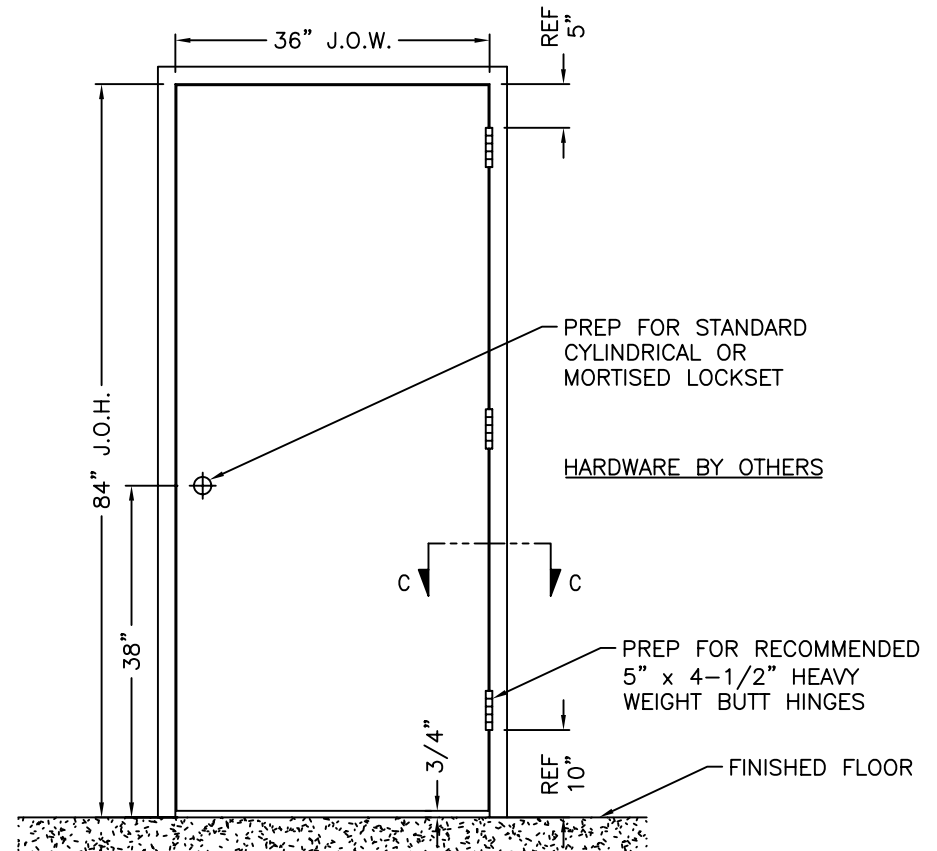
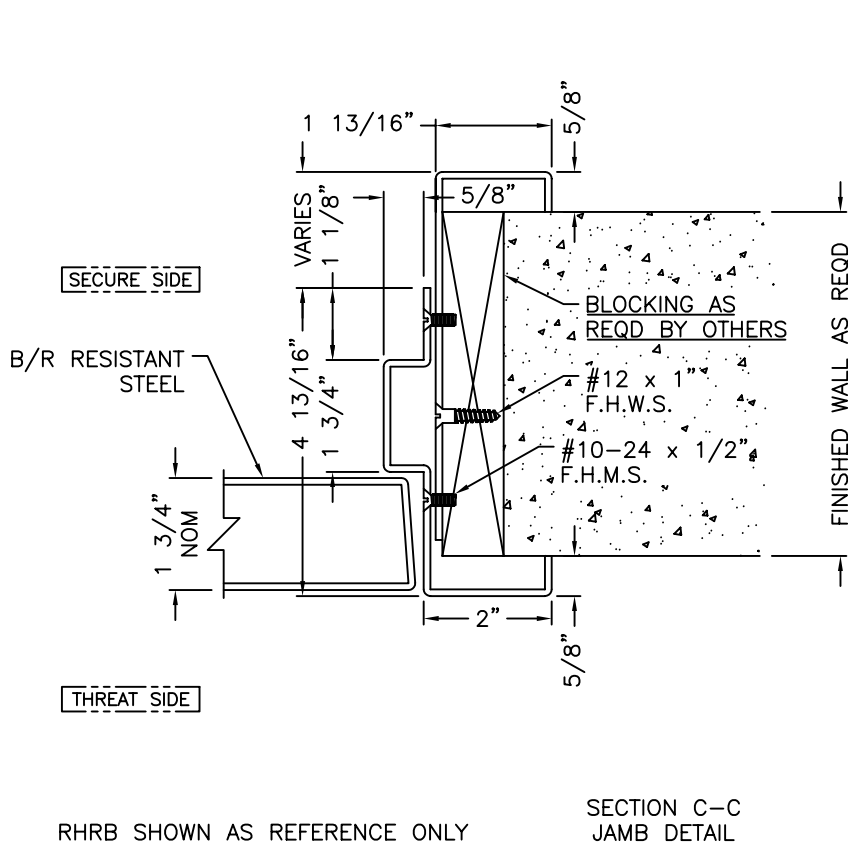


NOTES:

- 1) MODEL *DFC* BULLET RESISTANT DOOR W/ CLAMP-ON FRAME
- 2) CARBON STEEL W/ PRIME PAINTED FINISH
- 3) 38-1/2" WIDE x 85-1/4" HIGH MASONRY OPENING
- 4) BACKFRAME ADJUSTS ±1/2" FROM NOMINAL WALL THICKNESS
- 5) *UL* LEVEL 1-3 B/R RATING



NOTICE

THIS DRAWING AND DESIGN ARE THE PROPERTY OF THE OVERLY DOOR COMPANY. THIS DRAWING IS LOANED TO YOU SUBJECT TO THE CONDITION THAT IT SHALL NOT BE REPRODUCED, COPIED, LOANED OR OTHERWISE DISPOSED OF DIRECTLY OR INDIRECTLY. IT SHALL NOT BE USED TO FURNISH ANY INFORMATION FOR THE MAKING OF DRAWINGS, PRINTS OR APPARATUS, OR PARTS THEREOF, EXCEPT WHERE OTHERWISE SPECIFICALLY PROVIDED FOR BY CONTRACT AGREEMENT WITH THE OVERLY DOOR COMPANY.

**Model DFC Flush
Bullet-Resistive Door with
Clamp-On Frame**



574 West Otterman Street
Greensburg, PA 15601
Phone: 800-979-7300
Fax: 724-830-2871
Email: overly@overly.com

DO NOT SCALE DRAWING

DRAWN BY/DATE:	JMC 10/25/2005
CONTROL NUMBER:	DET-143
FILENAME:	cut-dfc.dwg