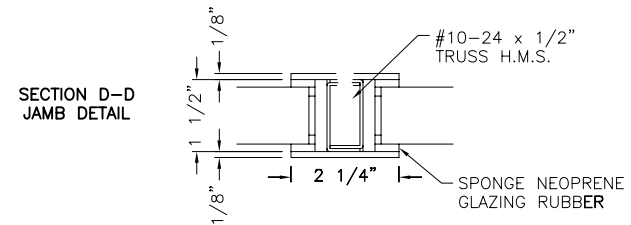
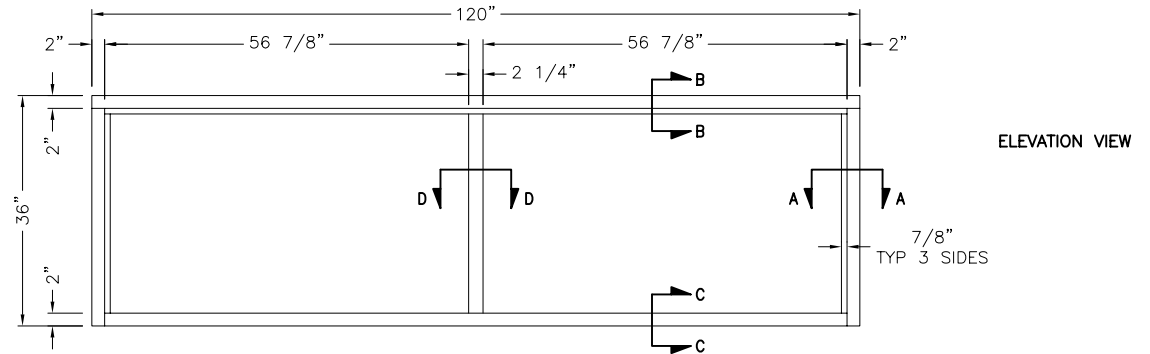
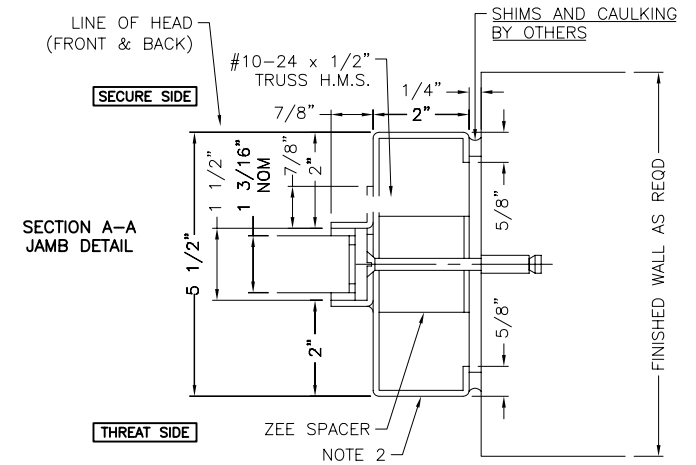
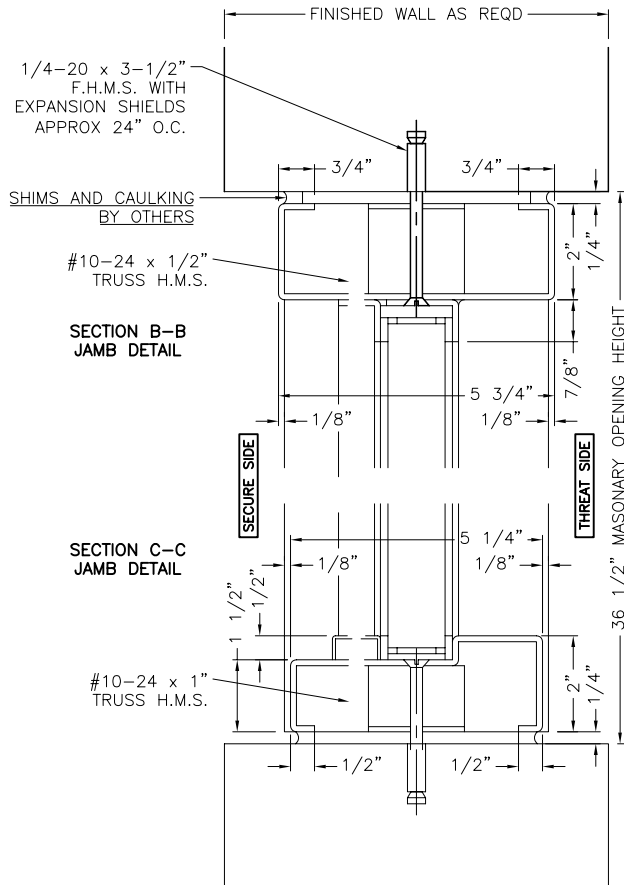


NOTES:

- 1) MODEL *AWB* BULLET RESISTANT WINDOW W/ BOLT-IN FRAME
- 2) CARBON STEEL W/ PRIME PAINTED FINISH (OTHER OPTIONS AVAILABLE UPON REQUEST)
- 3) 120-1/2" WIDE x 36-1/2" HIGH MASONRY OPENING
- 4) *UL* LEVEL 1-4 B/R RATING
- 5) B/R GLASS MUST BEAR A *UL* LISTED LABEL
- 6) 2 x 56" W x 31-1/8" H CLEAR VISION OPENING MEETS *UL752* CRITERIA
- 7) NOMINAL B/R GLASS THICKNESS SHOWN, ACTUAL THICKNESS MAY VARY PLUS OR MINUS
- 8) TRADEMARK OF GLASS SUPPLIER MUST APPEAR ON PUBLIC AREA SIDE WHEN INSTALLING GLASS
- 9) LOOSE STOP FOR B/R GLASS LOCATED ON SECURED AREA SIDE ONLY



NOTICE

THIS DRAWING AND DESIGN ARE THE PROPERTY OF THE OVERLY DOOR COMPANY. THIS DRAWING IS LOANED TO YOU SUBJECT TO THE CONDITION THAT IT SHALL NOT BE REPRODUCED, COPIED, LOANED OR OTHERWISE DISPOSED OF DIRECTLY OR INDIRECTLY. IT SHALL NOT BE USED TO FURNISH ANY INFORMATION FOR THE MAKING OF DRAWINGS, PRINTS OR APPARATUS, OR PARTS THEREOF, EXCEPT WHERE OTHERWISE SPECIFICALLY PROVIDED FOR BY CONTRACT AGREEMENT WITH THE OVERLY DOOR COMPANY.

**Model AWB-01
Bullet-Resistive Window with
Bolt-In Frame and 120" x 36"
Clear Vision Window**



574 West Otterman Street
Greensburg, PA 15601
Phone: 800-979-7300
Fax: 724-830-2871
Email: overly@overly.com

DO NOT SCALE DRAWING

DRAWN BY/DATE:	JMC 12/05/2004
CONTROL NUMBER:	DET-133
FILENAME:	cut-awb-01.dwg