

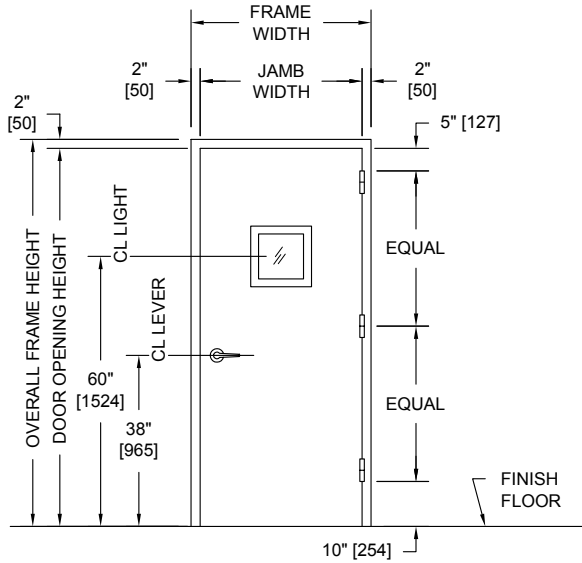
SERIES

BLS

OVERLY DOOR COMPANY

574 WEST OTTERMAN STREET
POST OFFICE BOX 70
GREENSBURG, PA 15601-0070
TELEPHONE: 724-834-7300
FAX: 724-830-2871

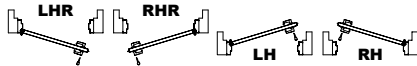
MODEL NO. VLRB-S / FIRE RATED / UP TO 1.54 PSI / BLAST RESISTANT DOOR AND FRAME ASSEMBLY / SINGLE SWING



PUBLIC SIDE ELEVATION

RIGHT HAND REVERSE BEVEL SHOWN
SHOWN WITH 10" X 10" VISION LIGHT

SECURED AREA (INTERIOR)

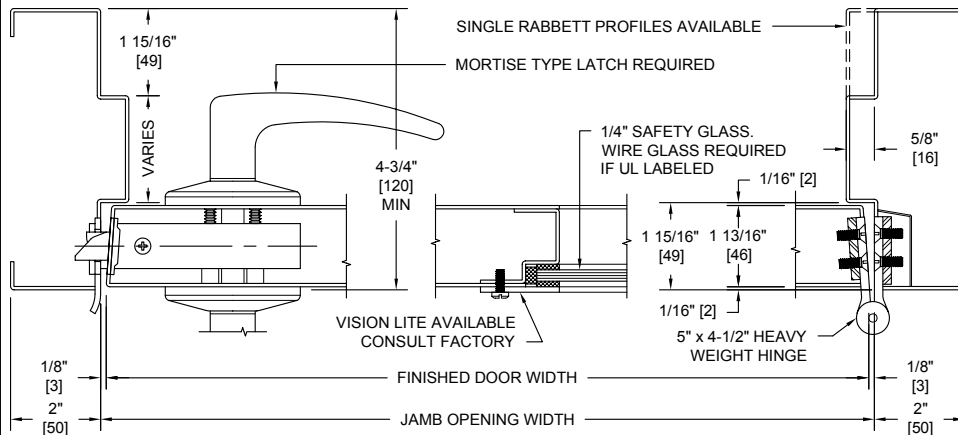


(KEY) SIDE

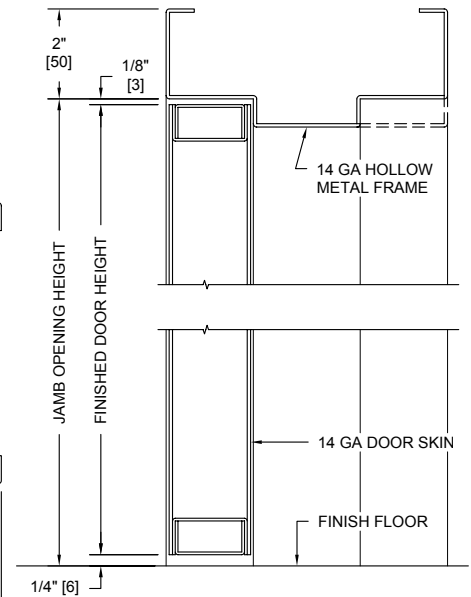
PUBLIC AREA (EXTERIOR)

NOTES:

1. A 3'-0" x 7'-0" opening can be designed to withstand up to 1.54 psi total static load. Certain hardware restrictions may apply. Final pressure rating will be determined by our Blast Engineering Department once entire product has been specified. See chart below.
2. All exposed surfaces of frame to receive one coat of rust inhibitive prime paint.
3. Door must be equipped with a mortise type lock set and 5" x 4-1/2" heavy weight hinges. Customer to specify. No surface mounted hardware for primary latching.
4. Units can bear up to a 3 hour UL10B or UL10C/UBC7-2 fire label, provided UL requirements are met.
5. Various weather-stripping options are available.
6. Removable and fixed type transom configurations are available.
7. Various size vision lites and side lites available.



HORIZONTAL SECTION



VERTICAL SECTION

PRE-ENGINEERED BLAST DOOR SELECTOR CHART

3'-0" x 7'-0"	3'-0" x 8'-0"	3'-0" x 9'-2"	4'-0" x 7'-0"	4'-0" x 8'-0"
1.54 psi [10.6 kPa]	1.34 psi [9.2 kPa]	1.17 psi [8.1 kPa]	1.15 psi [7.9 kPa]	1.01 psi [7 kPa]

ALL DIMENSIONS
BOTH IN INCHES
AND MILLIMETERS