

# SERIES

# BLS

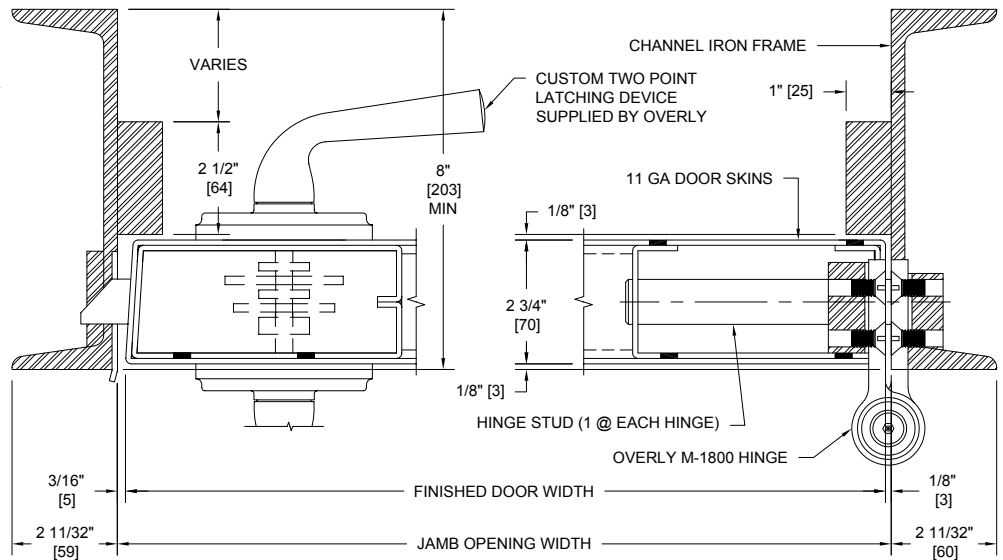
# OVERLY DOOR COMPANY

574 WEST OTTERMAN STREET  
POST OFFICE BOX 70  
GREENSBURG, PA 15601-0070  
TELEPHONE: 724-834-7300  
FAX: 724-830-2871

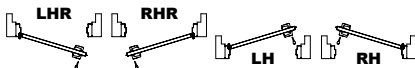
## MODEL NO. MRB4-S / TWO POINT / UP TO 20.0 PSI / BLAST RESISTANT DOOR AND FRAME ASSEMBLY / SINGLE SWING

### NOTES:

1. A 3'-0" x 7'-0" opening can be designed to withstand up to 20.0 psi total static load. Certain hardware restrictions may apply. Final pressure rating will be determined by our Blast Engineering Department once entire product has been specified. See chart below.
2. All exposed surfaces of frame to receive one coat of rust inhibitive prime paint.
3. Door must be equipped with an Overly two point mortise locking device and Overly M-1800 extreme duty hinges.
4. Various weather-stripping options are available.
5. Removable and fixed type transom configurations are available.
6. Various size vision lites and side lites available.
7. Also available with panic hardware.

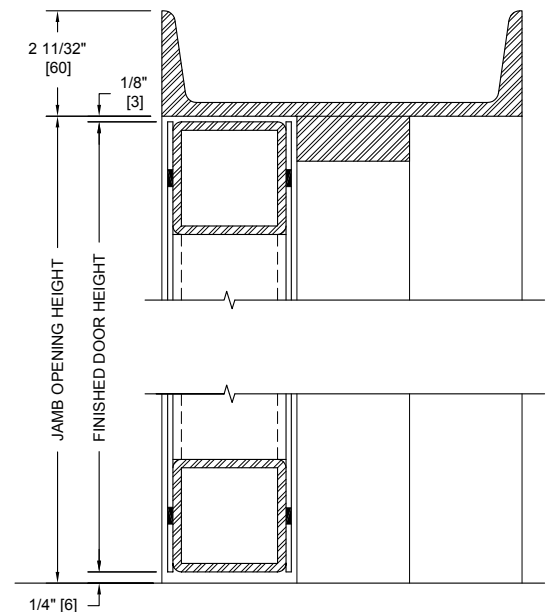
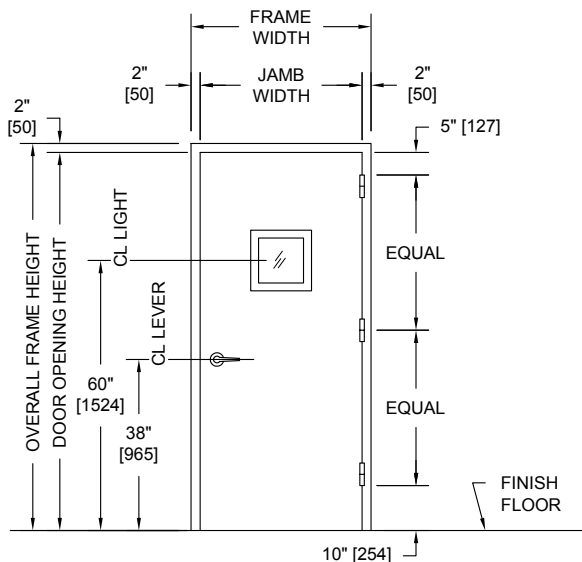


### SECURED AREA (INTERIOR)



### (KEY) SIDE

### PUBLIC AREA (EXTERIOR)



PRE-ENGINEERED BLAST DOOR SELECTOR CHART				
3'-0" x 7'-0"	3'-0" x 8'-0"	3'-0" x 9'-2"	4'-0" x 7'-0"	4'-0" x 8'-0"
20.0 psi [137.9 kPa]	17.5 psi [120.7 kPa]	15.3 psi [105.5 kPa]	15.0 psi [103.4 kPa]	13.1 psi [90.3 kPa]

ALL DIMENSIONS BOTH IN INCHES AND MILLIMETERS