

SERIES

BLS

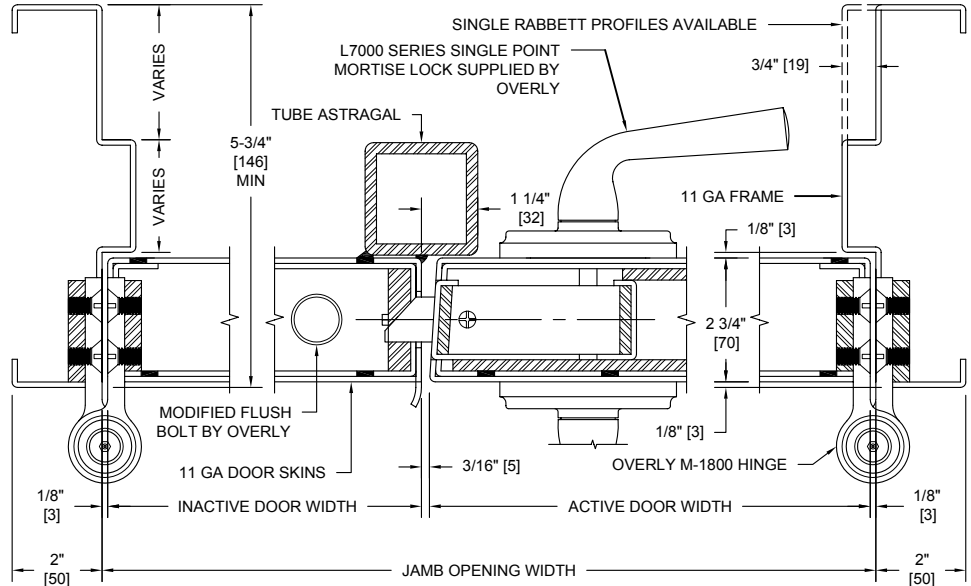
OVERLY DOOR COMPANY

574 WEST OTTERMAN STREET
POST OFFICE BOX 70
GREENSBURG, PA 15601-0070
TELEPHONE: 724-834-7300
FAX: 724-830-2871

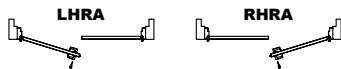
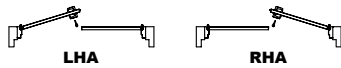
MODEL NO. MRB2-P / SINGLE POINT / 7.0 PSI UNSEATING STATIC LOAD BLAST RESISTANT DOOR AND FRAME ASSEMBLY / PAIR SWING

NOTES:

1. A 6'-0" x 7'-0" opening can be designed to withstand up to 7.0 psi total unseating static load. Certain hardware restrictions may apply. Final dynamic load rating will be determined by our Blast Engineering Department once entire product has been specified.
2. All exposed surfaces of frame to receive one coat of rust inhibitive prime paint.
3. Door must be equipped with an Overly L7000 Series mortise type lock set, modified manual flushbolts and Overly M-1800 extreme duty hinges.
4. Various weather-stripping options are available.
5. Removable and fixed type transom and mullion configurations are available.
6. Various size vision lites and side lites available.
7. Also available with panic hardware.

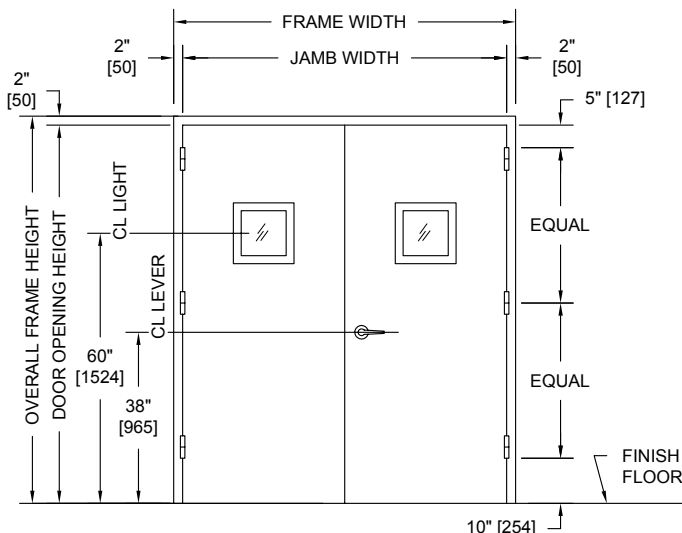


SECURE AREA (INTERIOR)



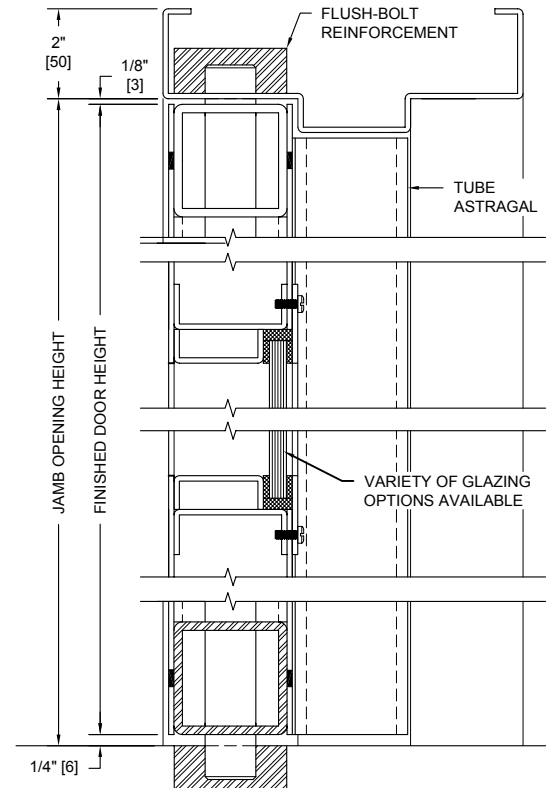
(KEY) SIDE

PUBLIC AREA (EXTERIOR)



PUBLIC SIDE ELEVATION

RIGHT HAND REVERSE BEVEL SHOWN
SHOWN WITH 10" X 10" VISION LIGHT



ALL DIMENSIONS
BOTH IN INCHES
AND MILLIMETERS