

SERIES

BLS

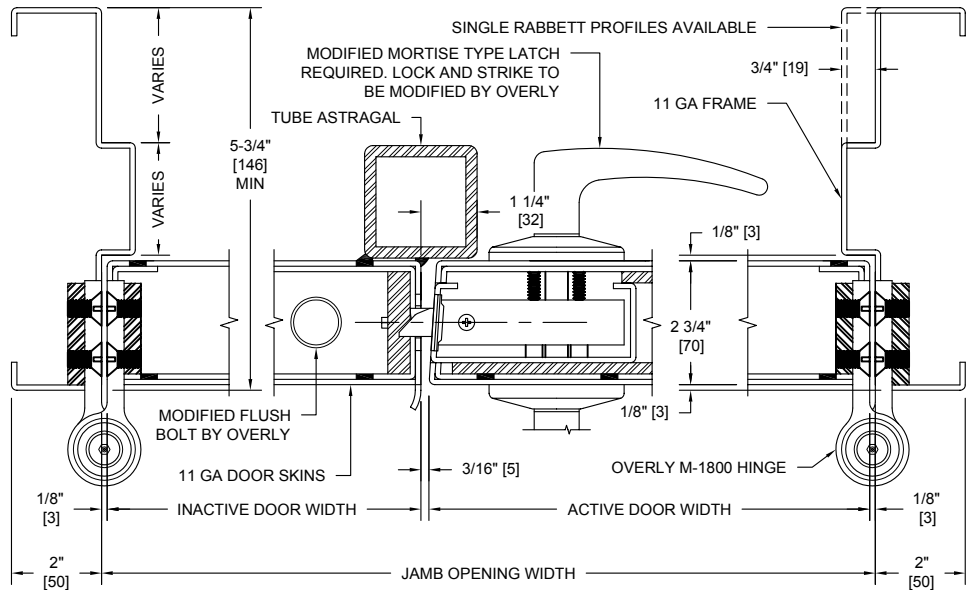


574 WEST OTTERMAN STREET
 POST OFFICE BOX 70
 GREENSBURG, PA 15601-0070
 TELEPHONE: 724-834-7300
 FAX: 724-830-2871

MODEL NO. MRB1-P / SINGLE POINT / 3.3 PSI UNSEATING STATIC LOAD BLAST RESISTANT DOOR AND FRAME ASSEMBLY / PAIR SWING

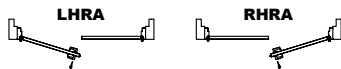
NOTES:

1. A 6'-0" x 7'-0" opening can be designed to withstand up to 3.3 psi total unseating static load and remain operable. Certain hardware restrictions may apply. Final dynamic load rating will be determined by our Blast Engineering Department once entire product has been specified.
2. All exposed surfaces of frame to receive one coat of rust inhibitive prime paint.
3. Door must be equipped with a modified mortise type lock set, modified manual flushbolts and Overly M-1800 extreme duty hinges.
4. Various weather-stripping options are available.
5. Removable and fixed type transom and mullion configurations are available.
6. Various size vision lites and side lites available.
7. Also available with panic hardware.



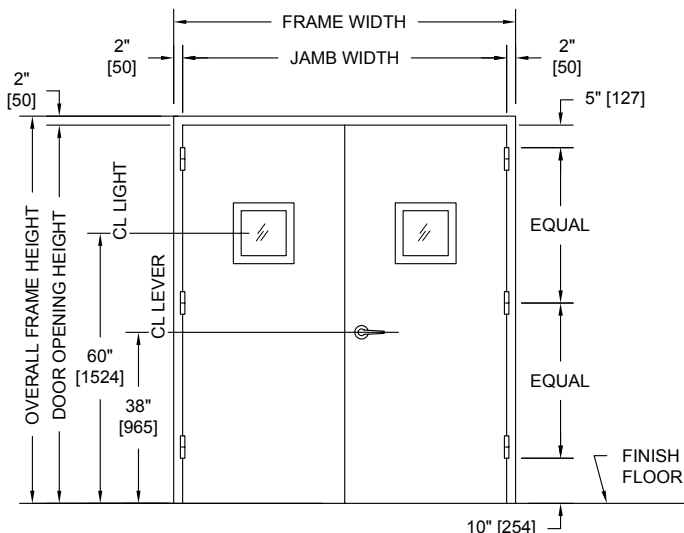
HORIZONTAL SECTION

SECURE AREA (INTERIOR)



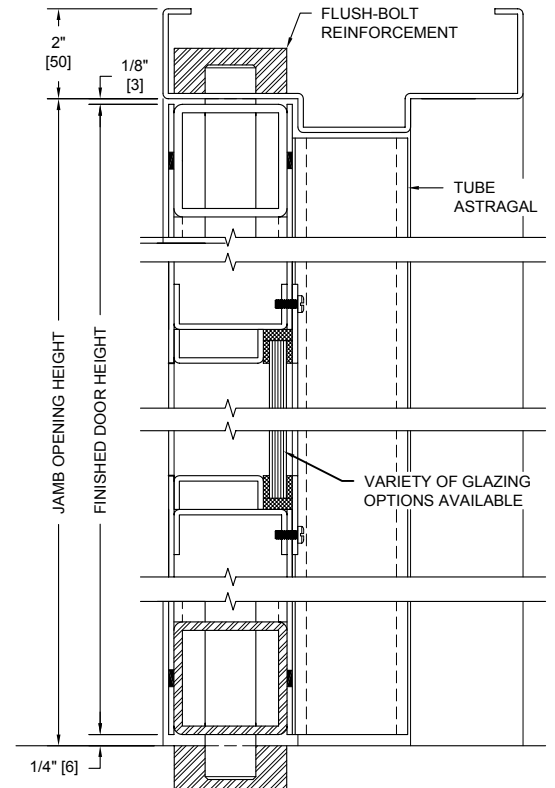
(KEY) SIDE

PUBLIC AREA (EXTERIOR)



PUBLIC SIDE ELEVATION

RIGHT HAND REVERSE BEVEL SHOWN
 SHOWN WITH 10" X 10" VISION LIGHT



VERTICAL SECTION

ALL DIMENSIONS
 BOTH IN INCHES
 AND MILLIMETERS