

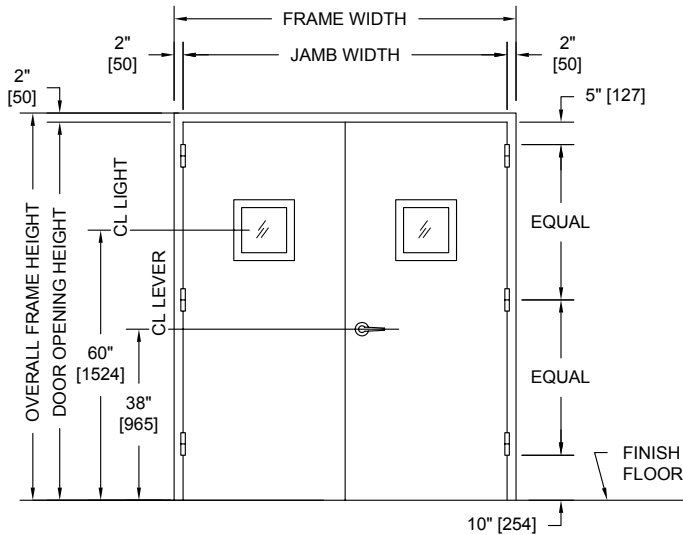
# SERIES

# BLS

# OVERLY DOOR COMPANY

574 WEST OTTERMAN STREET  
POST OFFICE BOX 70  
GREENSBURG, PA 15601-0070  
TELEPHONE: 724-834-7300  
FAX: 724-830-2871

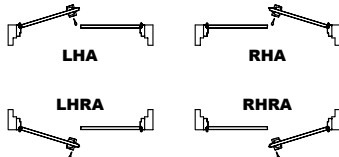
## MODEL NO. LRB-P / FIRE RATED / UP TO 2.0 PSI / BLAST RESISTANT DOOR AND FRAME ASSEMBLY / PAIR SWING



### PUBLIC SIDE ELEVATION

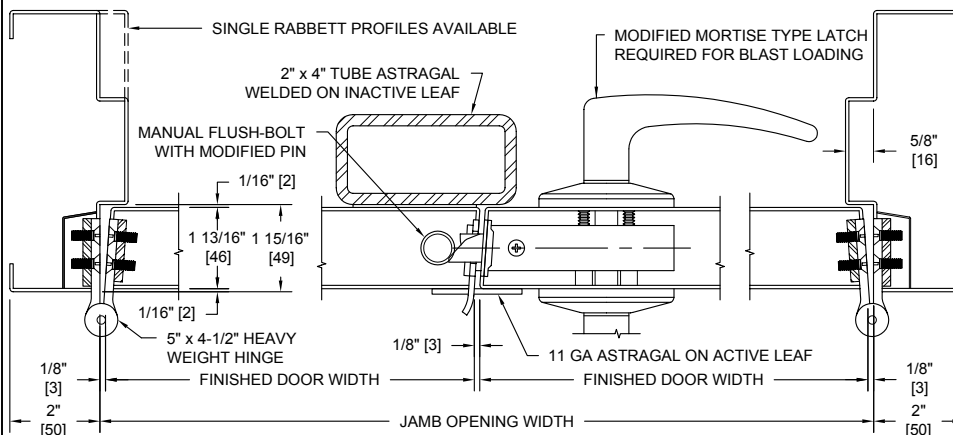
RIGHT HAND REVERSE BEVEL SHOWN  
SHOWN WITH 10" X 10" VISION LIGHT

### SECURE AREA (INTERIOR)

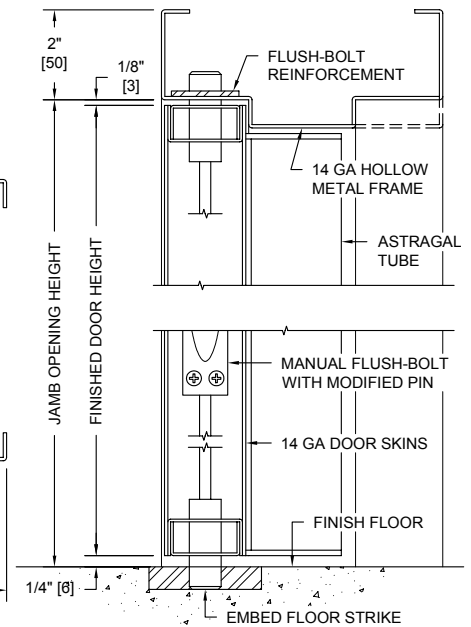


### (KEY) SIDE

### PUBLIC AREA (EXTERIOR)



### HORIZONTAL SECTION



### VERTICAL SECTION

### NOTES:

1. A 6'-0" x 7'-0" opening can be designed to withstand up to 2.0 psi total static load. Certain hardware restrictions may apply. Final pressure rating will be determined by our Blast Engineering Department once entire product has been specified.
2. All exposed surfaces of frame to receive one coat of rust inhibitive prime paint.
3. Door must be equipped with a modified mortise type lock set and 5" x 4-1/2" heavy weight hinges. Customer to specify, Overly to modify. No surface mounted hardware for primary latching.
4. Concealed vertical rod exit devices may be used to allow both doors to be active. Consult factory for hardware requirements.
5. Units can bear up to a 3 hour UL10B or UL10C/UBC7-2 fire label, provided UL requirements are met.
6. Removable and fixed type mullion and transom configurations are available.
7. Various weather-stripping options are available.
8. Various size vision lites and side lites available.