

# SERIES

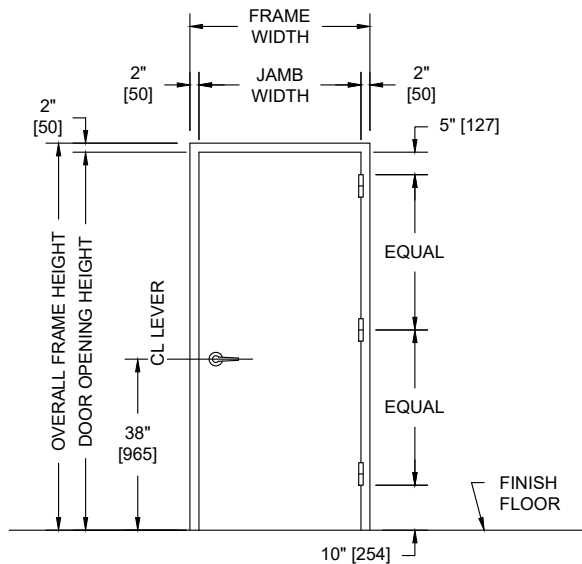
# SC

# OVERLY

DOOR COMPANY

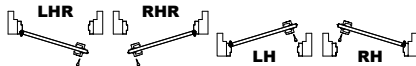
574 WEST OTTERMAN STREET  
 POST OFFICE BOX 70  
 GREENSBURG, PA 15601-0070  
 TELEPHONE: 724-834-7300  
 FAX: 724-830-2871

## MODEL NO. 5388127 / UL FIRE RATED / STC 53 / FLUSH SOUND CONTROL DOOR AND FRAME ASSEMBLY / DUAL COMPRESSION SEALS



**PUBLIC SIDE ELEVATION**  
 RIGHT HAND REVERSE BEVEL SHOWN

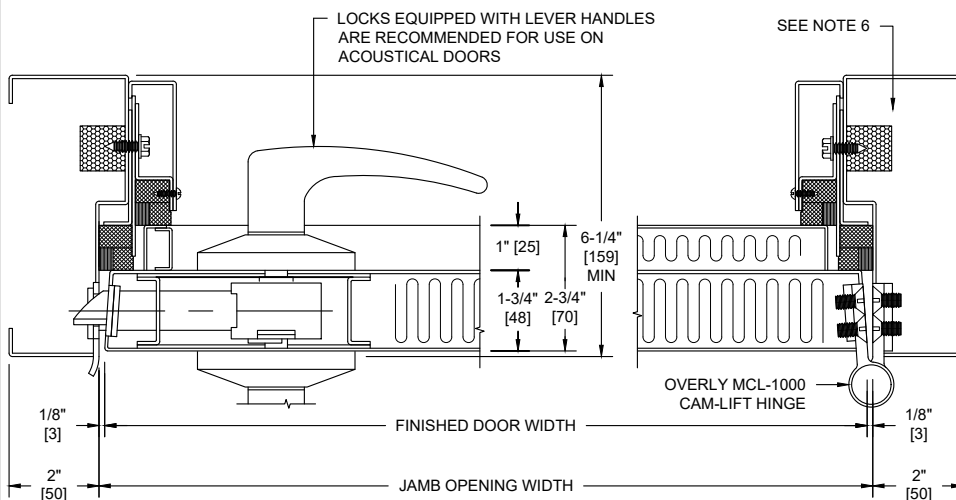
**SECURED AREA (INTERIOR)**



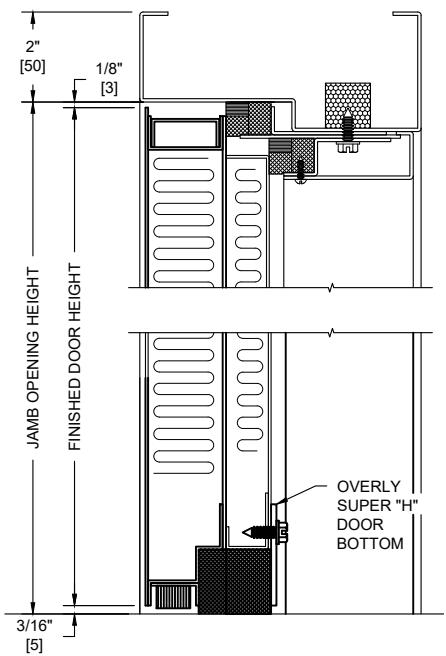
**(KEY) SIDE**  
**PUBLIC AREA (EXTERIOR)**

**NOTES:**

1. All exposed surfaces of door and frame to receive one coat of rust inhibitive prime paint.
2. Door bottom requires flush level sealing surface. Wood, aluminum, or stainless steel threshold recommended. Do not seal against carpet.
3. Frame is equipped with Overly dual compression seals at head and jamba. Door is equipped with an Overly Super "H" door bottom.
4. Door weight is 16.9 pounds per square foot.
5. Door can be equipped with standard builders hardware, Customer to specify. Concealed hardware is not recommended for acoustical doors.
6. Frames equipped with masonry anchors must be grouted full in field. Bolt-in type frames must have all voids in head and jamba packed with 6 to 12 pound density mineral wool and all voids between wall and frame continuously caulked.
7. UL fire labels available in compliance with UL10B and UL10C/UBC7-2. Consult factory for specifics.
8. Unit tested as single door at Riverbank Acoustical Laboratories. Results are described in Test Report No. TL88-127 with sound transmission results as shown in chart below.
9. The panel on the push side of the door is factory recessed to accommodate cylindrical locksets. Mortise locksets require extension of push side cylinders, spindles, and thru-bolt screws.



**HORIZONTAL SECTION**



**VERTICAL SECTION**

SOUND TRANSMISSION LOSS IN dB AT FREQUENCY / HERTZ																	
100	125	160	200	250	315	400	500	630	800	1000	1250	1600	2000	2500	3150	4000	5000
29	30	37	41	43	46	50	53	52	52	53	54	58	63	64	64	64	67

ALL DIMENSIONS  
 BOTH IN INCHES  
 AND MILLIMETERS