

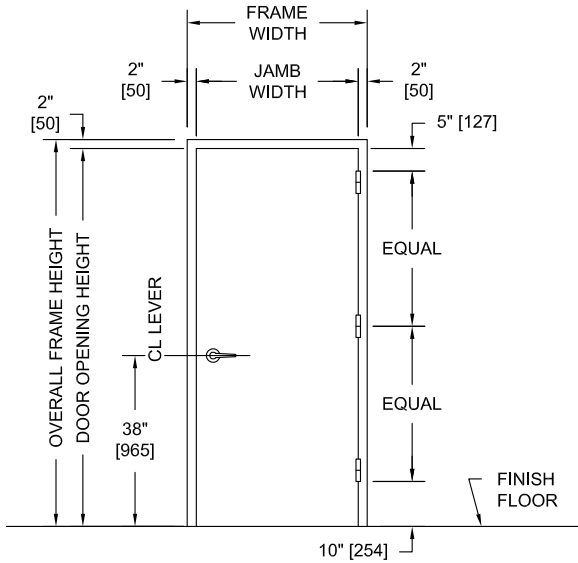
# SERIES

# SCW

# OVERLY DOOR COMPANY

574 WEST OTTERMAN STREET  
POST OFFICE BOX 70  
GREENSBURG, PA 15601-0070  
TELEPHONE: 724-834-7300  
FAX: 724-830-2871

## MODEL NO. 5021241 / NON-FIRE RATED / STC 50 / WOOD / SOUND CONTROL DOOR AND FRAME ASSEMBLY / COMPRESSION SEALS



**PUBLIC SIDE ELEVATION**  
RIGHT HAND REVERSE BEVEL SHOWN

**NOTES:**

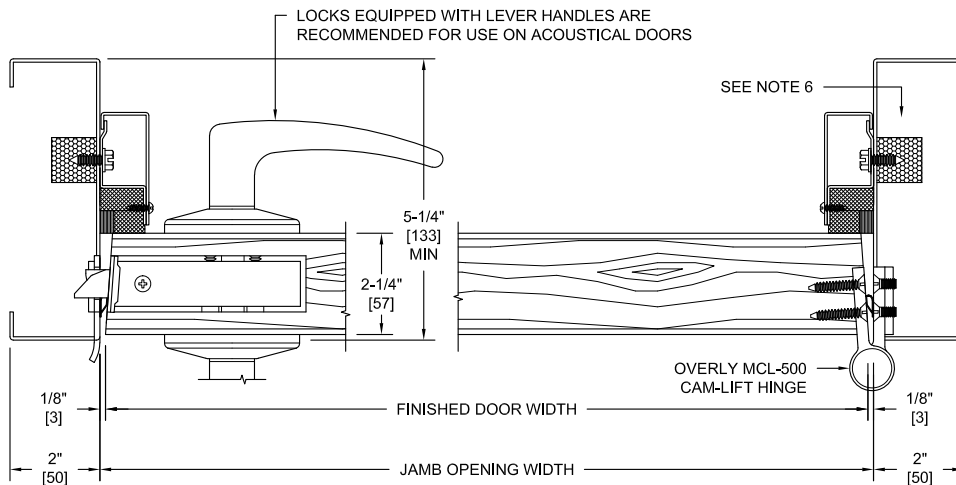
1. All exposed surfaces of frame to receive one coat of rust inhibitive prime paint.
2. Door bottom requires a flush level sealing surface. Wood, aluminum, or stainless steel thresholds are recommended. Do not seal against carpet.
3. Frame is equipped with Overly Single "H" compression seals and one row of Pemko S88 gaskets at head and jambs. Door is equipped with an Overly Super "H" door bottom.
4. Door weight is 11.0 pounds per square foot.
5. Door can be equipped with standard builders hardware for 2-1/4" thick doors. Customer to specify. No concealed hardware is permitted.
6. Frames equipped with masonry anchors must be grouted full in field. Bolt-in type frames must have all voids in head and jambs packed with 6 to 12 pound density mineral wool and all voids between wall and frame continuously caulked.
7. Wood species, cut and finish to be determined by the Architect.
8. Unit tested as single door at Riverbank Acoustical Laboratories. Results are described in Test Report No. TL21-241 with sound transmission results as shown in chart below.
9. 4x8, 8x8 maximum opening size.
10. No UL fire labels available.

**SECURED AREA (INTERIOR)**

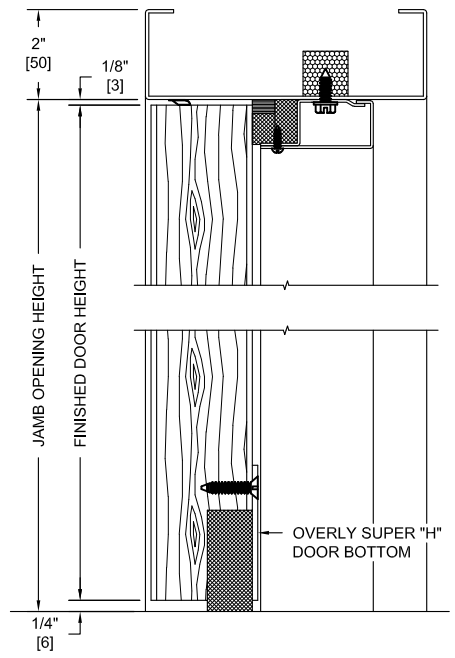


**(KEY) SIDE**

**PUBLIC AREA (EXTERIOR)**



**HORIZONTAL SECTION**



**VERTICAL SECTION**

SOUND TRANSMISSION LOSS IN dB AT FREQUENCY / HERTZ																	
100	125	160	200	250	315	400	500	630	800	1000	1250	1600	2000	2500	3150	4000	5000
28	36	37	37	38	45	47	48	49	50	51	50	53	53	54	54	55	56

ALL DIMENSIONS BOTH IN INCHES AND MILLIMETERS