

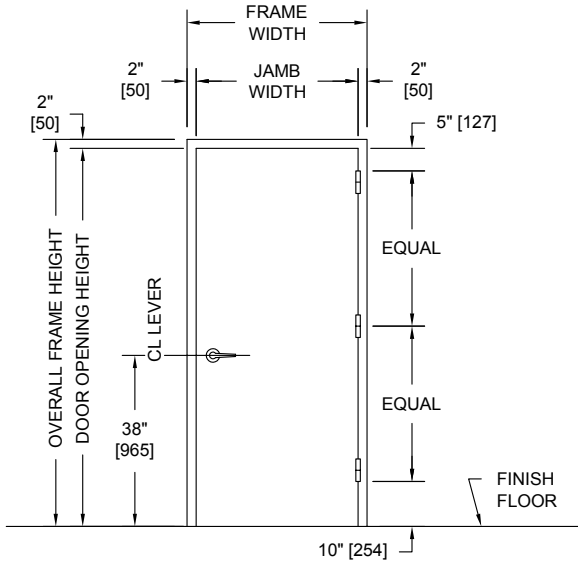
SERIES

SCW

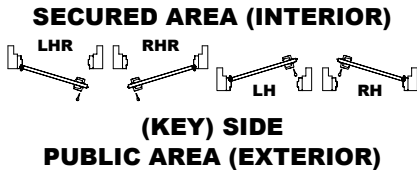


574 WEST OTTERMAN STREET
 POST OFFICE BOX 70
 GREENSBURG, PA 15601-0070
 TELEPHONE: 724-834-7300
 FAX: 724-830-2871

MODEL NO. 499723 / FIRE RATED / STC 49 / WOOD / SOUND CONTROL DOOR AND FRAME ASSEMBLY / COMPRESSION SEALS



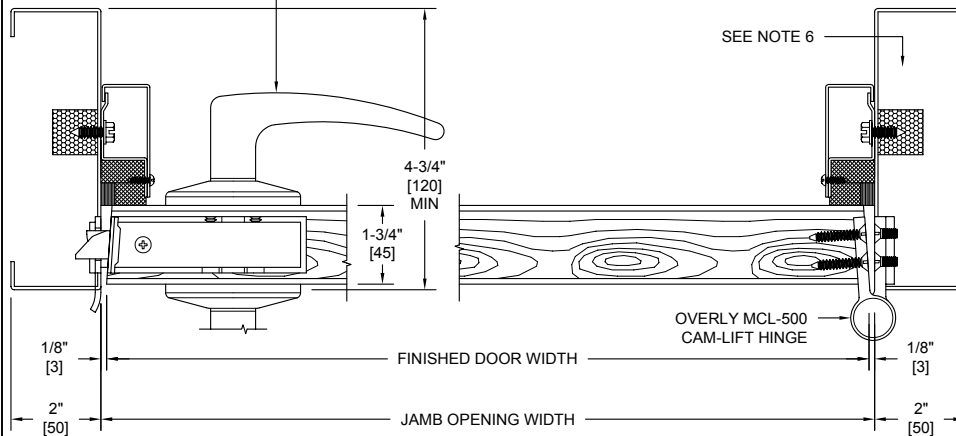
PUBLIC SIDE ELEVATION
 RIGHT HAND REVERSE BEVEL SHOWN



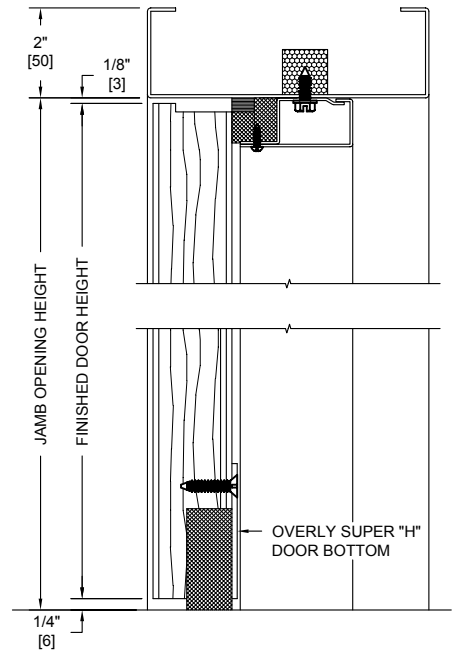
NOTES:

1. All exposed surfaces of frame to receive one coat of rust inhibitive prime paint.
2. Door bottom requires a flush level sealing surface. Wood, aluminum, or stainless steel thresholds are recommended. Do not seal against carpet.
3. Frame is equipped with Overly Single "H" compression seals at head and jambs. Door is equipped with an Overly Super "H" door bottom.
4. Door weight is 9.28 pounds per square foot.
5. Door can be equipped with standard builders hardware, Customer to specify. No concealed or electrically operated hardware is permitted.
6. Frames equipped with masonry anchors must be grouted full in field. Bolt-in type frames must have all voids in head and jambs packed with 6 to 12 pound density mineral wool and all voids between wall and frame continuously caulked.
7. Wood species, cut and finish to be determined by the Architect.
8. Unit tested as single door at Riverbank Acoustical Laboratories. Results are described in Test Report No. TL97-23 with sound transmission results as shown in chart below.
9. Up to 4' x 8' single swing units can bear up to a 45 min UL10B or UL10C/UBC7-2 fire label. Doors swinging in pairs cannot be UL fire labeled unless provided with a mullion.
10. Door construction is covered by US Patent No. 6,112,496.

LOCKS EQUIPPED WITH LEVER HANDLES ARE RECOMMENDED FOR USE ON ACOUSTICAL DOORS



HORIZONTAL SECTION



VERTICAL SECTION

SOUND TRANSMISSION LOSS IN dB AT FREQUENCY / HERTZ																	
100	125	160	200	250	315	400	500	630	800	1000	1250	1600	2000	2500	3150	4000	5000
32	32	38	37	41	44	42	44	46	48	51	53	55	57	57	56	56	56

ALL DIMENSIONS BOTH IN INCHES AND MILLIMETERS