

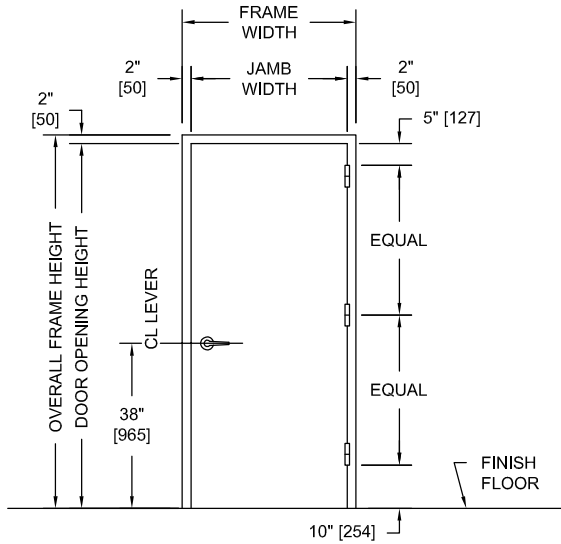
SERIES

SCW

OVERLY DOOR COMPANY

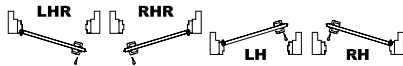
574 WEST OTTERMAN STREET
POST OFFICE BOX 70
GREENSBURG, PA 15601-0070
TELEPHONE: 724-834-7300
FAX: 724-830-2871

MODEL NO. 4612171 / FIRE RATED / STC 46 / WOOD / SOUND CONTROL DOOR AND FRAME ASSEMBLY / DOUBLE BUBBLE SEALS



PUBLIC SIDE ELEVATION
RIGHT HAND REVERSE BEVEL SHOWN

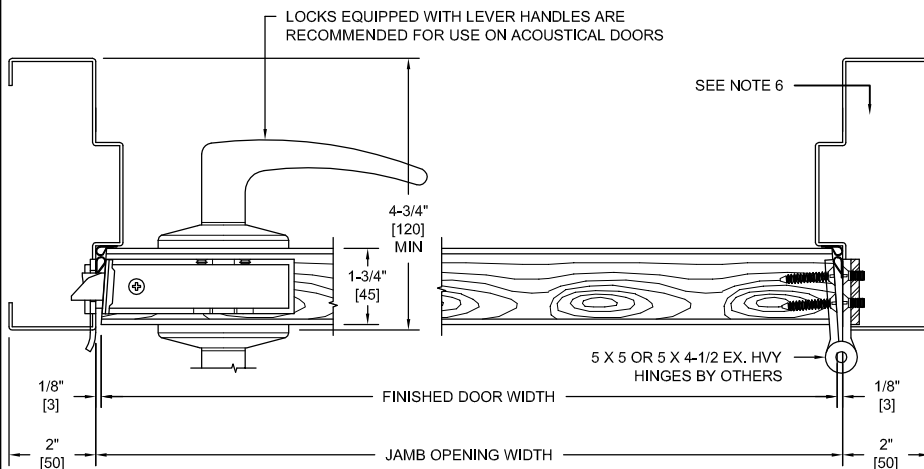
SECURED AREA (INTERIOR)



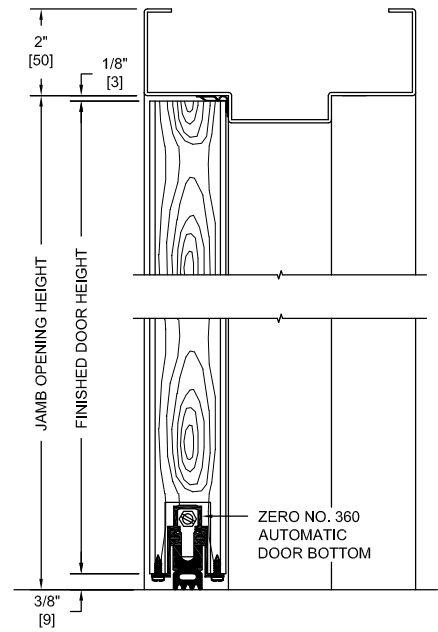
**(KEY) SIDE
PUBLIC AREA (EXTERIOR)**

NOTES:

- All exposed surfaces of frame to receive one coat of rust inhibitive prime paint.
- Door bottom requires a flush level sealing surface. Wood, aluminum, or stainless steel thresholds are recommended. Do not seal against carpet.
- Frame is equipped with double bubble seals at head and jambs. Door is equipped with a Zero no. 360 fully mortised automatic door bottom.
- Door weight is 8.28 pounds per square foot.
- Door can be equipped with standard builders hardware, Customer to specify. No concealed or electrically operated hardware is permitted.
- Frames equipped with masonry anchors must be grouted full in field. Bolt-in type frames must have all voids in head and jambs packed with 6 to 12 pound density mineral wool and all voids between wall and frame continuously caulked.
- Wood species, cut and finish to be determined by the Architect.
- Unit tested as single door at Riverbank Acoustical Laboratories. Results are described in Test Report No. TL12-171 with sound transmission results as shown in chart below.
- Up to 4' x 8' single swing units can bear up to a 45 min UL10B or UL10C/UBC7-2 fire label. Doors swinging in pairs cannot be UL fire labeled unless provided with a mullion.
- Door construction is covered by US Patent No. 6,112,496.



HORIZONTAL SECTION



VERTICAL SECTION

SOUND TRANSMISSION LOSS IN dB AT FREQUENCY / HERTZ																	
100	125	160	200	250	315	400	500	630	800	1000	1250	1600	2000	2500	3150	4000	5000
28	28	32	33	37	43	44	44	45	45	46	47	49	51	51	50	50	51

ALL DIMENSIONS
BOTH IN INCHES
AND MILLIMETERS