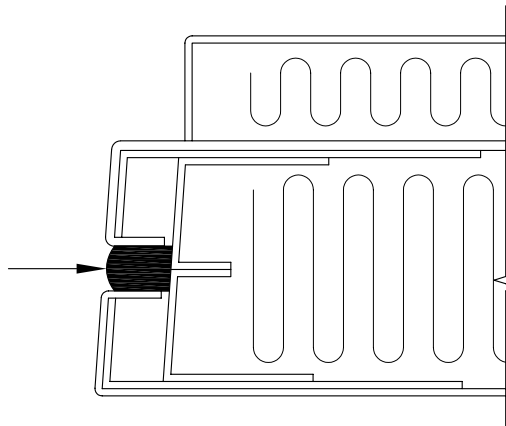


SOLID NEOPRENE  
SOUND ISOLATOR



## TYPICAL EDGE CONSTRUCTION ABOVE AND BELOW LOCK CUTOUTS

### NOTICE

THIS DRAWING AND DESIGN ARE THE PROPERTY OF THE OVERLY DOOR COMPANY. THIS DRAWING IS LOANED TO YOU SUBJECT TO THE CONDITION THAT IT SHALL NOT BE REPRODUCED, COPIED, LOANED OR OTHERWISE DISPOSED OF DIRECTLY OR INDIRECTLY. IT SHALL NOT BE USED TO FURNISH ANY INFORMATION FOR THE MAKING OF DRAWINGS, PRINTS OR APPARATUS, OR PARTS THEREOF, EXCEPT WHERE OTHERWISE SPECIFICALLY PROVIDED FOR BY CONTRACT AGREEMENT WITH THE OVERLY DOOR COMPANY.

### Typical Edge Construction for 3" Thick Acoustical Door

Above & Below Lock & Hinge Cutouts



574 West Otterman Street  
Greensburg, PA 15601  
Phone: 800-979-7300  
Fax: 724-830-2871  
Email: [overly@overly.com](mailto:overly@overly.com)

DO NOT SCALE DRAWING

DRAWN BY/DATE: JMC 10/25/2005

CONTROL NUMBER: DET-003

FILENAME: acs-hm-edge-3pan.dwg