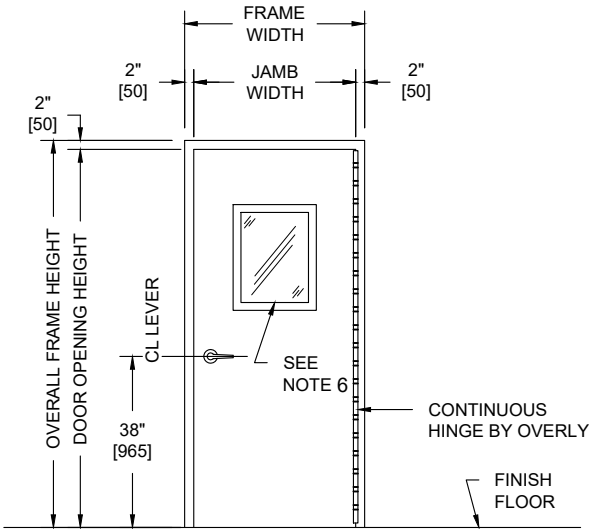
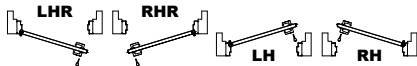


## UL752 LEVEL 5, VISION LIGHT, NON-UL FIRE RATED SINGLE SWING METAL FRAME AND DOOR ASSEMBLY



**PUBLIC SIDE ELEVATION**  
RIGHT HAND REVERSE BEVEL SHOWN

**SECURED AREA (INTERIOR)**



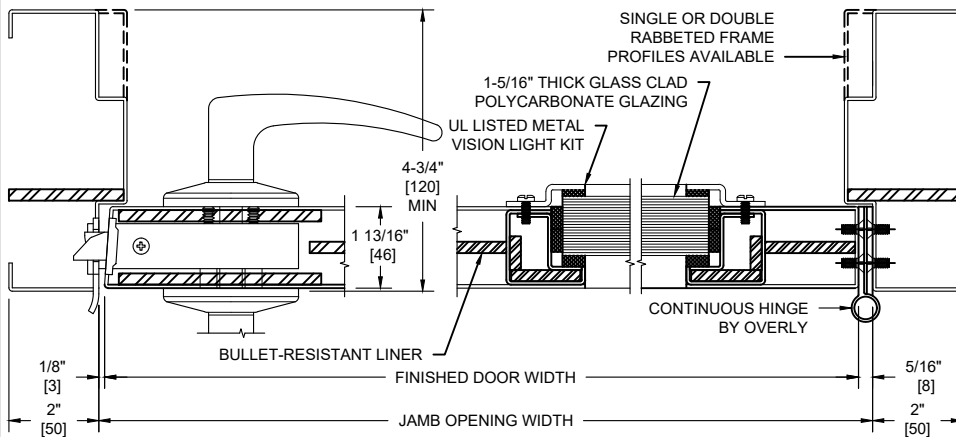
**(KEY) SIDE**

**PUBLIC AREA (EXTERIOR)**

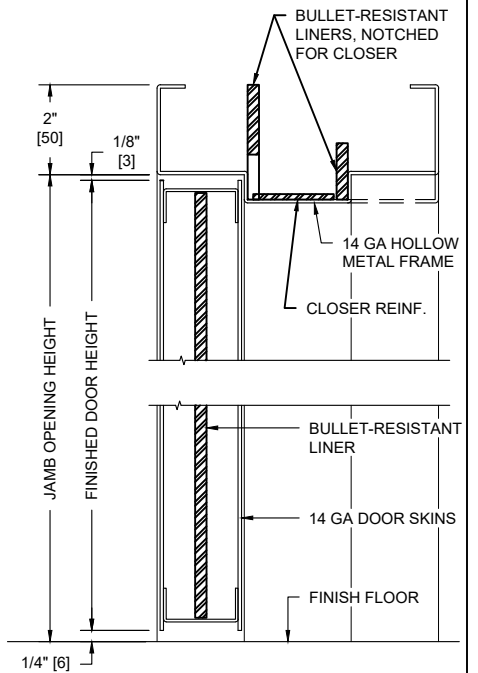
**NOTES:**

- Both door, frame and vision light kit UL listed for UL752, Level 5 bullet resistance.
- Door and Frames can be fabricated from carbon or galvanized steel. All exposed surfaces of frame to receive one coat of rust inhibitive prime paint.
- Maximum door leaf size is 4'-0" x 10'-0".
- Door weight is 24.3 pounds / sq. foot.
- Doors to be hung on continuous hinges by Overly. Locks required to be BHMA Grade 1, 2, or 3. Electrical hardware with raceways available. Consult factory for specifics.
- Doors equipped with UL Level 5, glass clad polycarbonate laminate with metal glazing system.

- 8" Minimum Stile
- 6" Minimum Top Rail
- 12" Minimum Bottom Rail



**HORIZONTAL SECTION**



**VERTICAL SECTION**

UL LEVEL	AMMUNITION	MINIMUM VELOCITY FPS/MPS	NUMBER OF SHOTS
5	7.62mm RIFLE LEAD CORE FULL METAL COPPER JACKET, MILITARY BALL	2750 / 838	1