

# SERIES

# BLS

# OVERLY

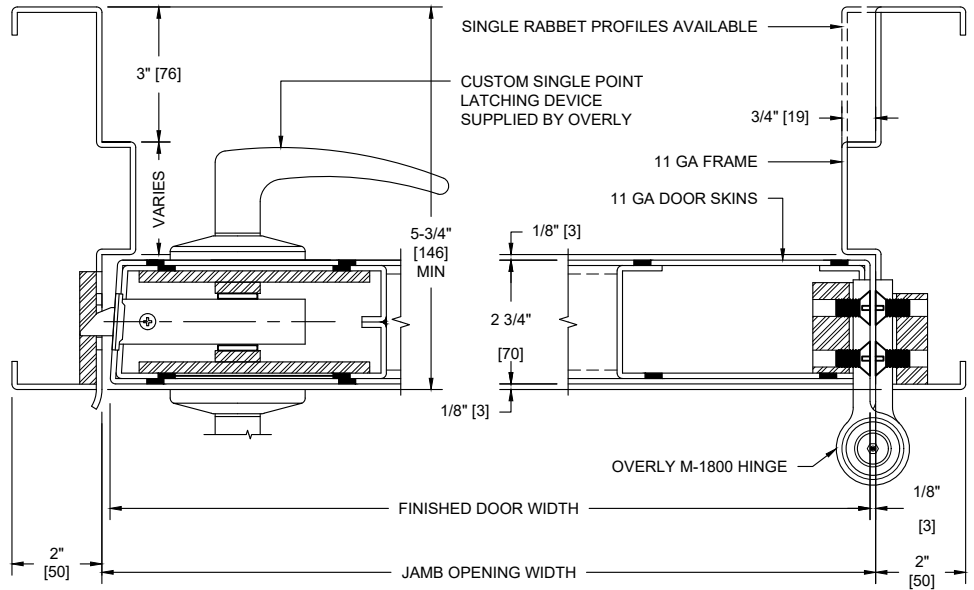
DOOR COMPANY

POST OFFICE BOX 70  
 GREENSBURG, PA 15601-0070  
 TELEPHONE: 724-834-7300  
 FAX: 724-830-2871  
 EMAIL: overly@overly.com

## MODEL NO. MRB-1S / SINGLE POINT / 7.0 PSI UNSEATING STATIC LOAD / BLAST RESISTANT DOOR AND FRAME ASSEMBLY / SINGLE SWING

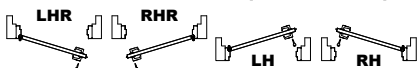
### NOTES:

1. A 3'-0" x 7'-0" opening can be designed to withstand up to 7.0 psi total unseating static load. Certain hardware restrictions may apply. Final pressure rating will be determined by our Blast Engineering Department once entire product has been specified. See chart below.
2. All exposed surfaces of door and frame to receive one coat of rust inhibitive prime paint.
3. Door must be equipped with an Overly single point mortise locking device and Overly M-1800 extreme duty hinges.
4. Various weather-stripping options are available.
5. Removable and fixed type transom configurations are available.
6. Various size vision lites available.
7. Also available with panic hardware.
8. Also available with 24 VDC electric lock/unlock or electric latch retraction.



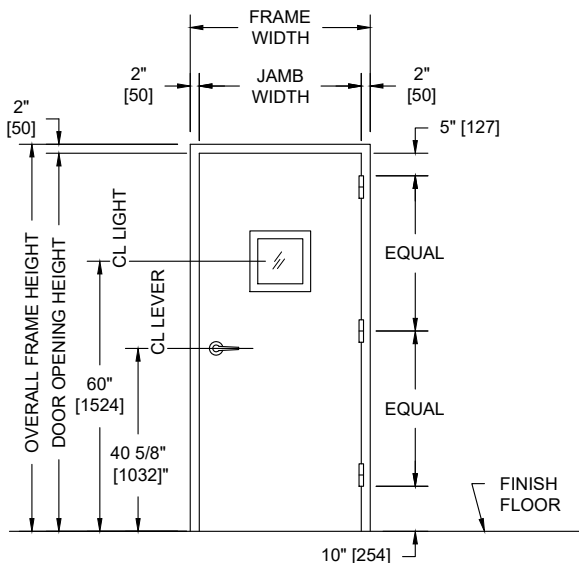
**HORIZONTAL SECTION**

### SECURED AREA (INTERIOR)



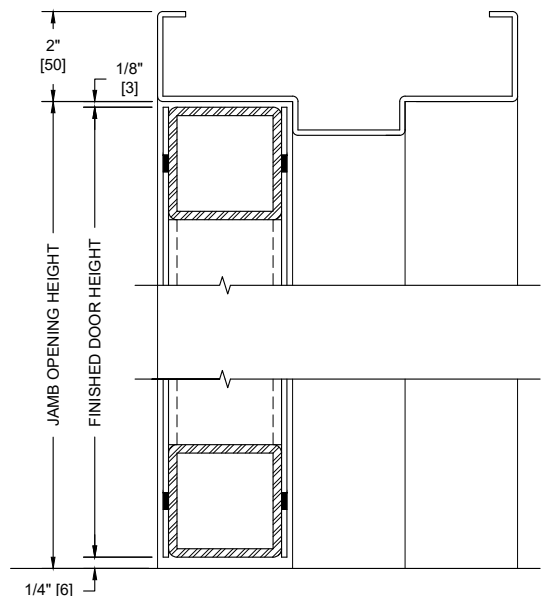
### (KEY) SIDE

### PUBLIC AREA (EXTERIOR)



**PUBLIC SIDE ELEVATION**

RIGHT HAND REVERSE BEVEL SHOWN  
 SHOWN WITH 10" X 10" VISION LIGHT



**VERTICAL SECTION**

### PRE-ENGINEERED BLAST DOOR SELECTOR CHART

3'-0" x 7'-0"	3'-0" x 8'-0"	3'-0" x 9'-2"	4'-0" x 7'-0"	4'-0" x 8'-0"
7.0 psi [48.3 kPa]	6.1 psi [42.1 kPa]	5.3 psi [36.5 kPa]	5.2 psi [35.9 kPa]	4.6 psi [31.7 kPa]

ALL DIMENSIONS  
 BOTH IN INCHES  
 AND MILLIMETERS