

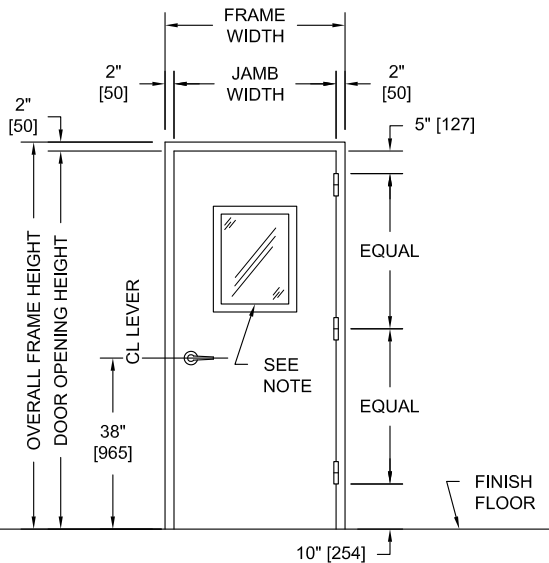
SERIES

SC



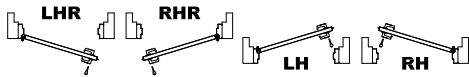
POST OFFICE BOX 70
GREENSBURG, PA 15601-0070
TELEPHONE: 724-834-7300
FAX: 724-830-2871
EMAIL: overly@overly.com

MODEL NO. 4712033 / UL FIRE RATED / STC 47 / E90-09 / DUAL GLAZED SOUND CONTROL DOOR AND FRAME ASSEMBLY / SINGLE MAGNETIC GASKETS

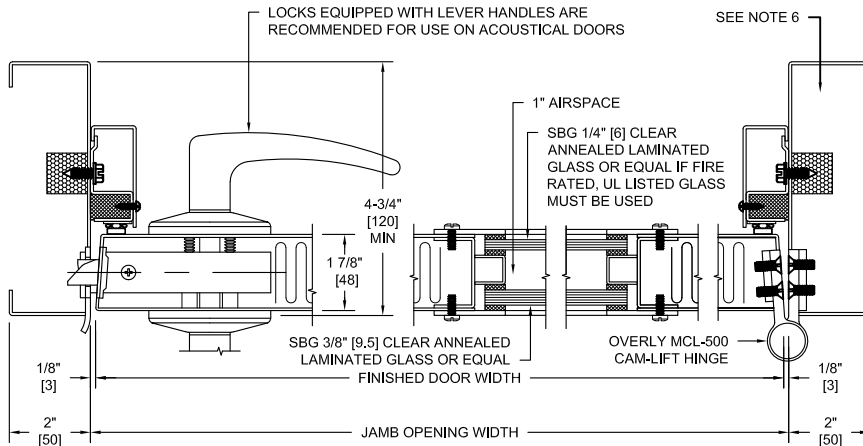


PUBLIC SIDE ELEVATION
RIGHT HAND REVERSE BEVEL SHOWN

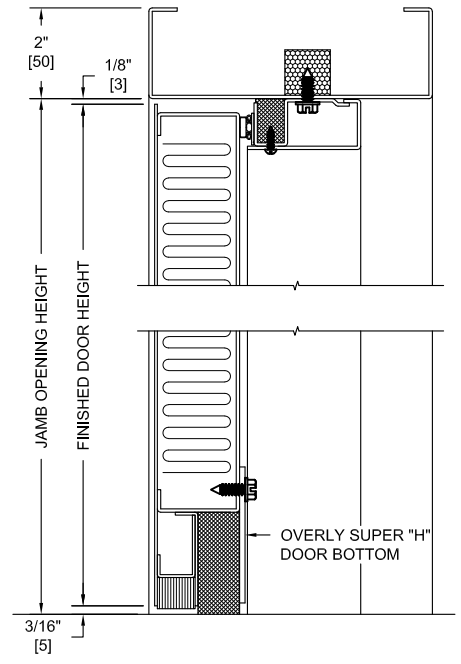
SECURED AREA (INTERIOR)



(KEY) SIDE PUBLIC AREA (EXTERIOR)



HORIZONTAL SECTION



VERTICAL SECTION

NOTES:

- All exposed surfaces of door and frame to receive one coat of rust inhibitive prime paint.
- Door bottom requires flush level sealing surface. Wood, aluminum, or stainless steel threshold recommended. Do not seal against carpet.
- Frame is equipped with Overly single magnetic seals at head and jambs. Door is equipped with an Overly Super "H" door bottom.
- Door weight is 9.14 pounds per square foot.
- Door can be equipped with standard builders hardware, Customer to specify. Concealed hardware is not recommended for acoustical doors.
- Frames equipped with masonry anchors must be grouted full in field. Bolt-in type frames must have all voids in head and jambs packed with 6 to 12 pound density mineral wool and all voids between wall and frame continuously caulked.
- UL fire labels available in compliance with UL10C. Consult factory for specifics.
- Door tested acoustically with 300 square inch vision light. Customer to specify size.
- Unit tested as single door at Riverbank Acoustical Laboratories. Results are described in Test Report No. TL12-033 with sound transmission results as shown in the chart below.
- Door construction is covered by US Patent No. 5,417,029.
- Door also tested without positive latching device and achieved an STC47 rating. See STC4712034 data sheet for more information.

SOUND TRANSMISSION LOSS IN dB AT FREQUENCY / HERTZ																	
100	125	160	200	250	315	400	500	630	800	1000	1250	1600	2000	2500	3150	4000	5000
30	27	32	31	39	44	44	45	47	47	48	50	52	53	53	52	52	53

ALL DIMENSIONS
BOTH IN INCHES
AND MILLIMETERS