

SERIES

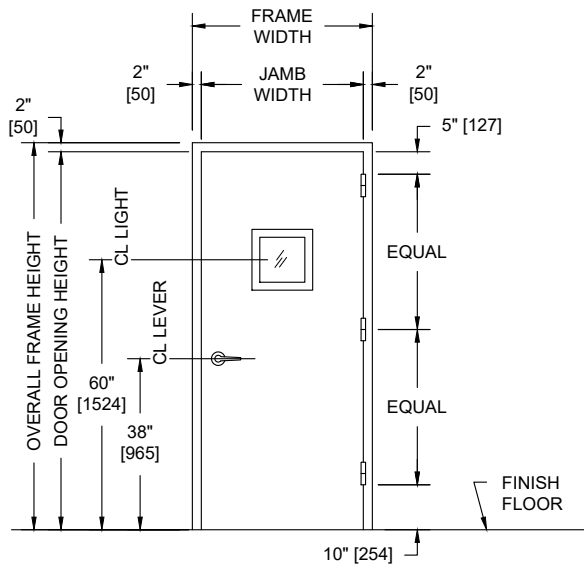
BLS

OVERLY

DOOR COMPANY

POST OFFICE BOX 70
 GREENSBURG, PA 15601-0070
 TELEPHONE: 724-834-7300
 FAX: 724-830-2871
 EMAIL: overly@overly.com

MODEL NO. LRB-S / FIRE RATED / UP TO 2.16 PSI / BLAST RESISTANT DOOR AND FRAME ASSEMBLY / SINGLE SWING



PUBLIC SIDE ELEVATION

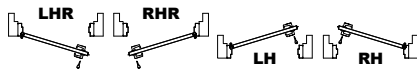
RIGHT HAND REVERSE BEVEL SHOWN
 SHOWN WITH 10" X 10" VISION LIGHT

NOTES:

1. A 3'-0" x 7'-0" opening can be designed to withstand up to 2.16 psi total static load. Certain hardware restrictions may apply. Final pressure rating will be determined by our Blast Engineering Department once entire product has been specified. See chart below.
2. All exposed surfaces of frame to receive one coat of rust inhibitive prime paint.
3. Door must be equipped with a modified mortise type lock set and 5"x4-1/2" heavy weight hinges. Customer to specify, Overly to modify. No surface mounted hardware for primary latching.
4. Units can bear up to a 3 hour UL10C fire label, provided UL requirements are met.
5. Various weather-stripping options are available.
6. Removable and fixed type transom configurations are available.
7. 10" x 10" and 5" x 20" vision lights (100 square inches) available. 3/8" laminated annealed glass if door is UL labeled, a dual glazed vision light, with laminated and fire rated glass, will be used.

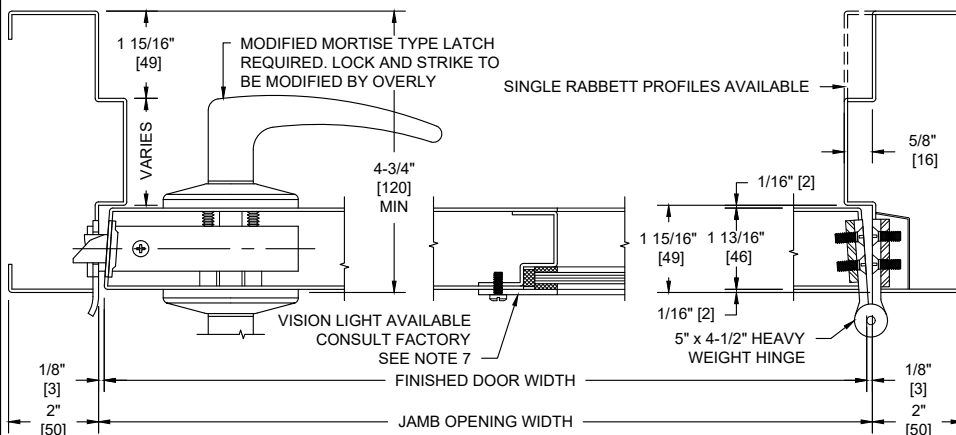
A 3'-0" x 7'-0" LRB-S Safely Resisted a Dynamic Load of 4 psi for 80 ms and Remained Openable (ASTM F2927 Category II)

SECURED AREA (INTERIOR)

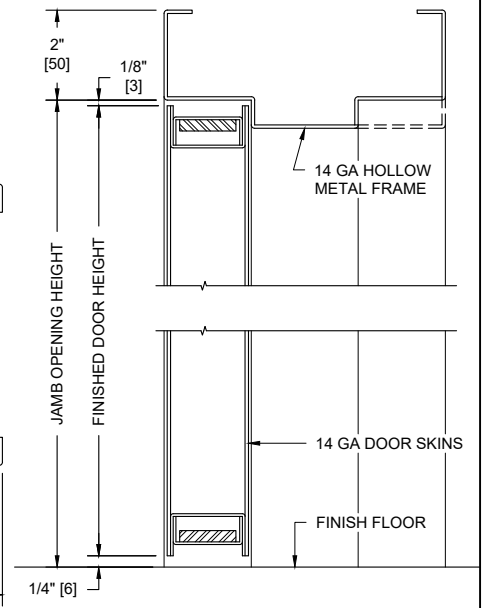


(KEY) SIDE

PUBLIC AREA (EXTERIOR)



HORIZONTAL SECTION



VERTICAL SECTION

PRE-ENGINEERED BLAST DOOR SELECTOR CHART			
3'-0" x 7'-0"	3'-0" x 8'-0"	4'-0" x 7'-0"	4'-0" x 8'-0"
2.16 psi [14.9 kPa]	2.0 psi [13.8 kPa]	1.78 psi [12.3 kPa]	1.56 psi [10.8 kPa]

ALL DIMENSIONS BOTH IN INCHES AND MILLIMETERS