

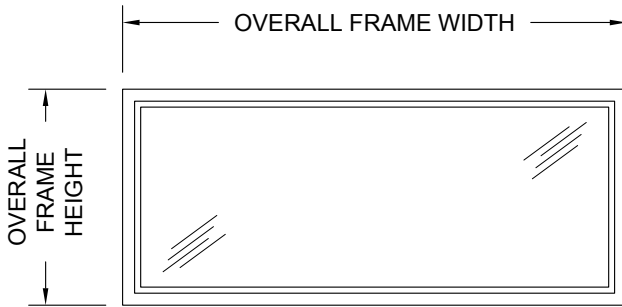
SERIES

SC

OVERLY
DOOR COMPANY

574 WEST OTTERMAN STREET
POST OFFICE BOX 70
GREENSBURG, PA 15601-0070
TELEPHONE: 724-834-7300
FAX: 724-830-2871

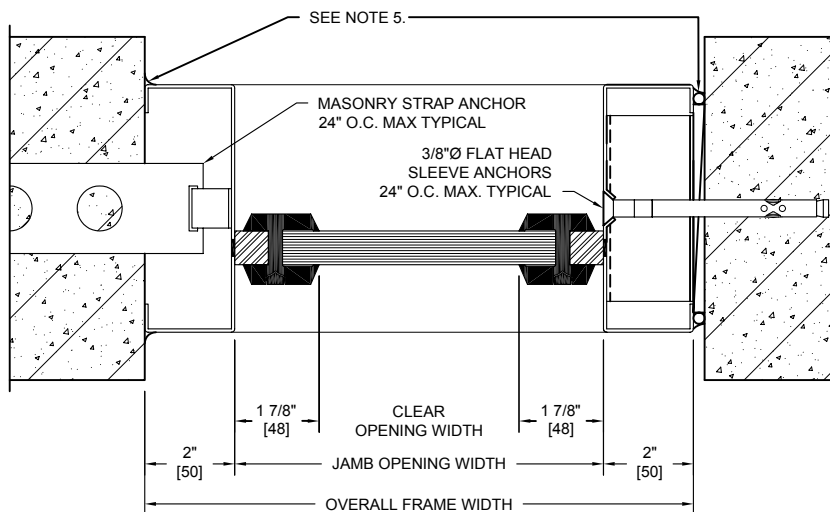
MODEL NO. 4292276 / STC 42 / SINGLE GLAZED / SOUND CONTROL FIXED WINDOW ASSEMBLY / ZIPPER GASKET GLAZING



ELEVATION

NOTES:

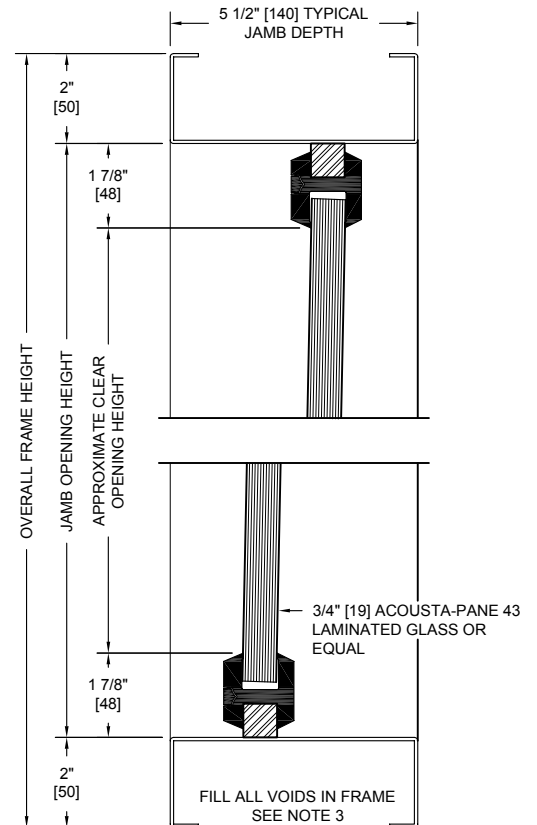
1. All exposed surfaces of frame to receive one coat of rust inhibitive prime paint.
2. Unit weight, including frame, glass, and glazing, is 17.3 pounds per square foot.
3. Frames equipped with masonry anchors must be grouted full in field. Bolt-in type frames must have all voids in head, jambs, and sill packed with 6 to 12 pound density mineral wool.
4. Sloped glass standard. Vertical glass (non-standard) available upon request.
5. All voids between wall and frame must be continuously caulked



SHOWING BUILT-IN INSTALLATION IN MASONRY PARTITION

SHOWING BOLT-IN INSTALLATION IN MASONRY PARTITION

HORIZONTAL SECTION



VERTICAL SECTION

SOUND TRANSMISSION LOSS IN dB AT FREQUENCY / HERTZ																	
100	125	160	200	250	315	400	500	630	800	1000	1250	1600	2000	2500	3150	4000	5000
32	33	35	35	34	36	38	39	39	38	37	41	46	49	52	54	56	58

ALL DIMENSIONS BOTH IN INCHES AND MILLIMETERS