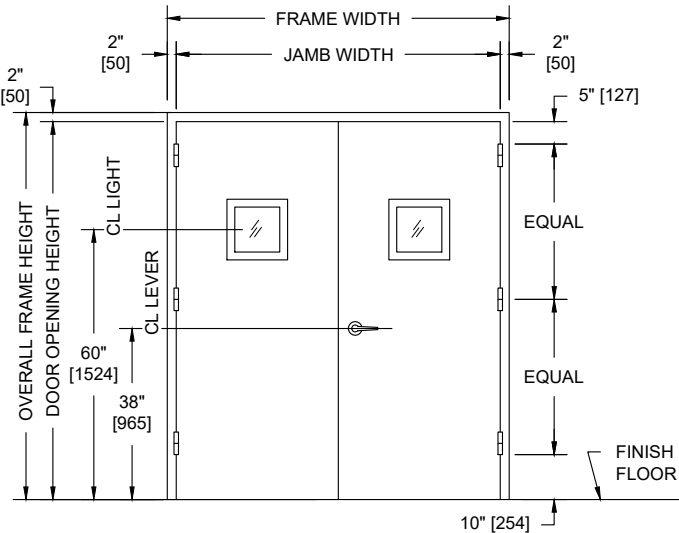


## MODEL NO. LRB-P / FIRE RATED / UP TO 2.16 PSI / BLAST RESISTANT DOOR AND FRAME ASSEMBLY / PAIR SWING



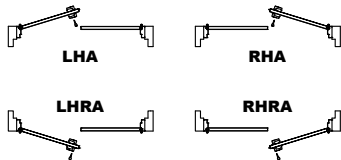
### PUBLIC SIDE ELEVATION

RIGHT HAND REVERSE BEVEL SHOWN  
SHOWN WITH 10" X 10" VISION LIGHT

### NOTES:

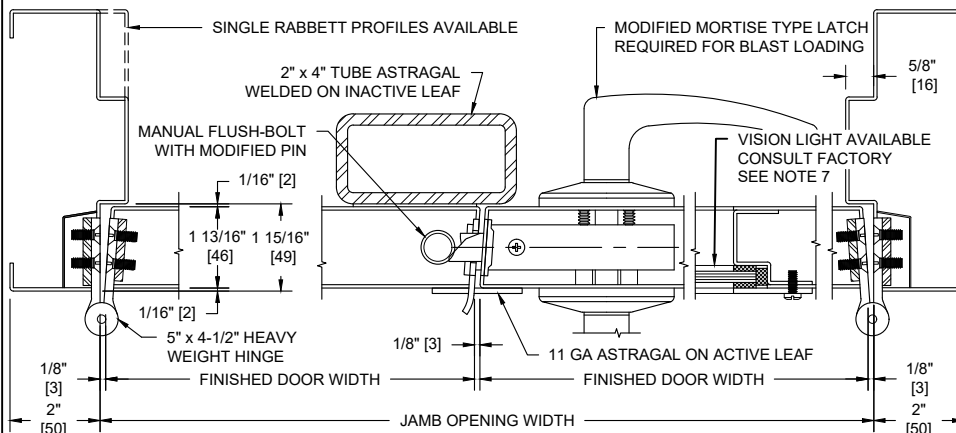
1. A 6'-0" x 7'-0" opening can be designed to withstand up to 2.16 psi total static load. Certain hardware restrictions may apply. Final pressure rating will be determined by our Blast Engineering Department once entire product has been specified.
2. All exposed surfaces of frame to receive one coat of rust inhibitive prime paint.
3. Door must be equipped with a modified mortise type lock set and 5"x4-1/2" heavy weight hinges. Customer to specify, Overly to modify. No surface mounted hardware for primary latching.
4. Units can bear up to a 3 hour UL10C fire label, provided UL requirements are met.
5. Removable and fixed type mullion and transom configurations are available.
6. Various weather-stripping options are available.
7. 10" x 10" and 5" x 20" vision lights (100 square inches) available. 3/8" laminated annealed glass if door is UL labeled, a dual glazed vision light, with laminated and fire rated glass, will be used.

### SECURE AREA (INTERIOR)

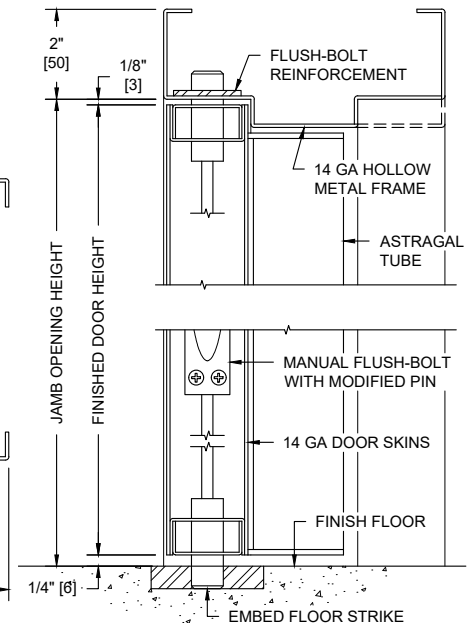


### (KEY) SIDE

### PUBLIC AREA (EXTERIOR)



### HORIZONTAL SECTION



### VERTICAL SECTION

ALL DIMENSIONS  
BOTH IN INCHES  
AND MILLIMETERS