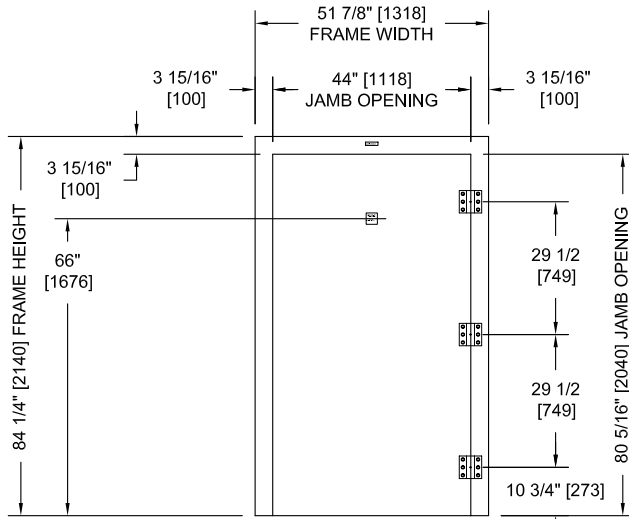
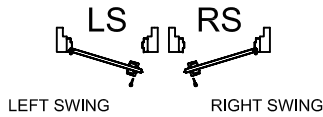


**MODEL NO. C5A-IIR / CLASS 5 ARMORY DOOR AND FRAME ASSEMBLY
TYPE IIR, DESIGN B, RIGHT SWING NO OPTICAL DEVICE, NO EXTERIOR HARDWARE**

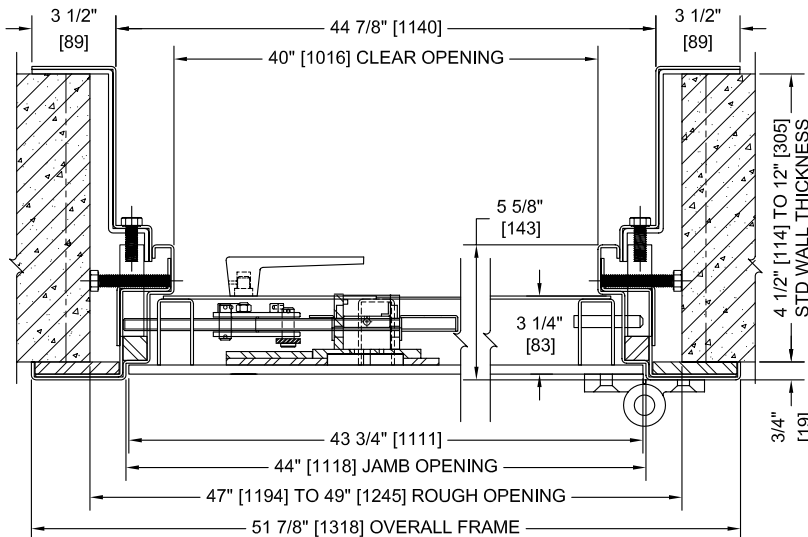


PUBLIC SIDE ELEVATION

SECURE AREA (INTERIOR)



**(KEY) SIDE
PUBLIC AREA (EXTERIOR)**



HORIZONTAL SECTION

**Overly's Class 5 Security
Armory Doors have been
tested and approved
under upgraded federal
specification AA-D-600D**

30	MAN-MINUTES AGAINST COVERT ENTRY
10	MAN-MINUTES AGAINST FORCED ENTRY

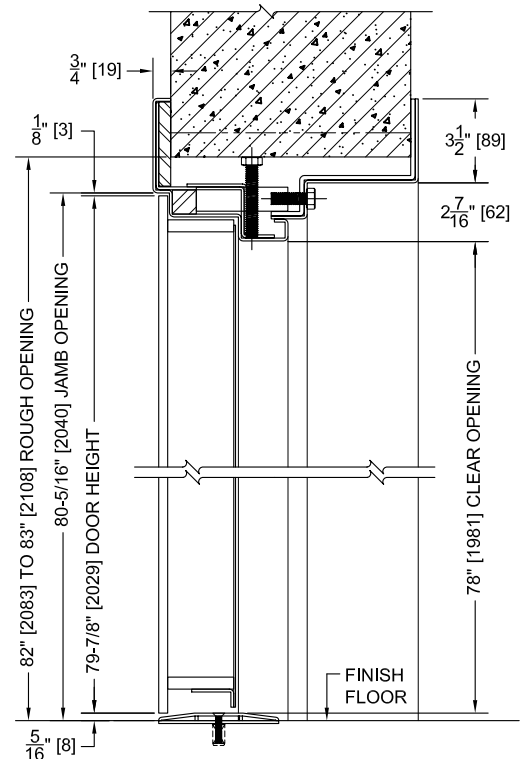
Shipping Weight: 1,395 lb
Net Weight: 1,225 lb

INFORMATION WE NEED TO PROCESS YOUR ORDER

1. Contract or Purchase Order Number.
2. National Stock Number.
3. Wall Thickness.
4. Swing of Day Gate (if required).
5. Packing Level A or Level C. Level C Commercial Level is Standard.
If Level A Military Export is Required, Please Specify.

STANDARD HARDWARE PACKAGE

3 Overly P-800 Hinges



VERTICAL SECTION