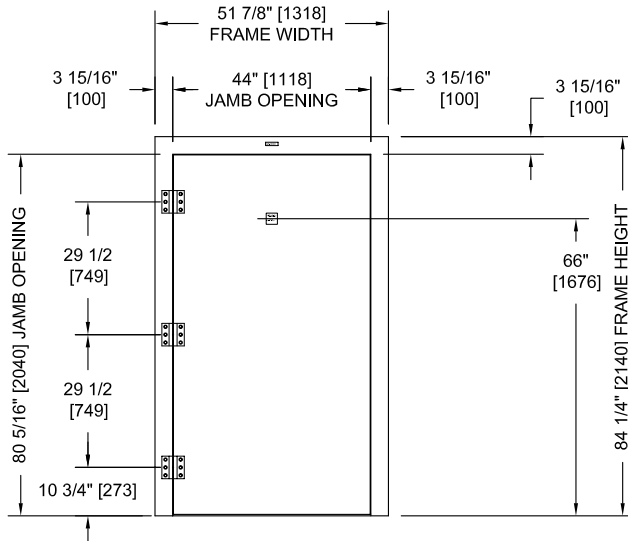
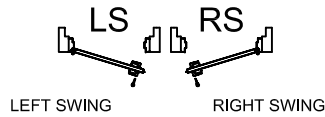


**MODEL NO. C5A-III / CLASS 5 ARMORY DOOR AND FRAME ASSEMBLY  
TYPE III, DESIGN B, LEFT SWING NO OPTICAL DEVICE, NO EXTERIOR HARDWARE**

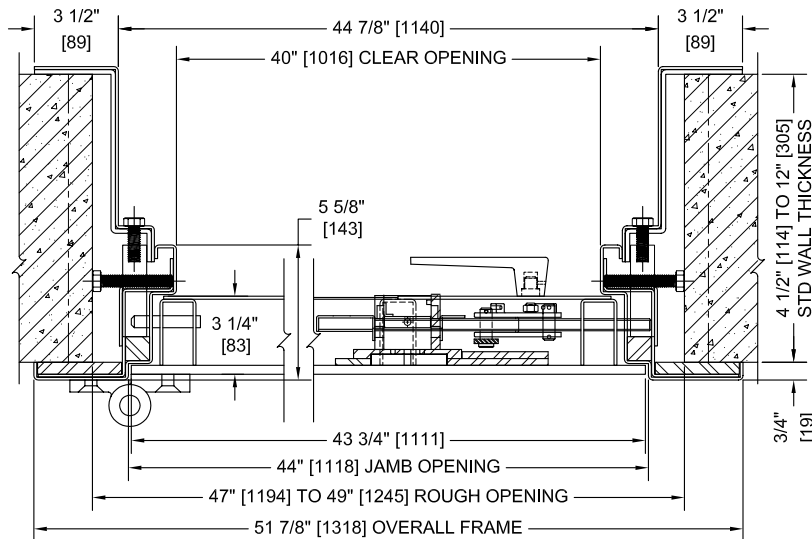


**PUBLIC SIDE ELEVATION**

**SECURE AREA (INTERIOR)**



**(KEY) SIDE  
PUBLIC AREA (EXTERIOR)**



**HORIZONTAL SECTION**

**Overly's Class 5 Security  
Armory Doors have been  
tested and approved  
under upgraded federal  
specification AA-D-600D**

<b>30</b>	MAN-MINUTES AGAINST COVERT ENTRY
<b>10</b>	MAN-MINUTES AGAINST FORCED ENTRY

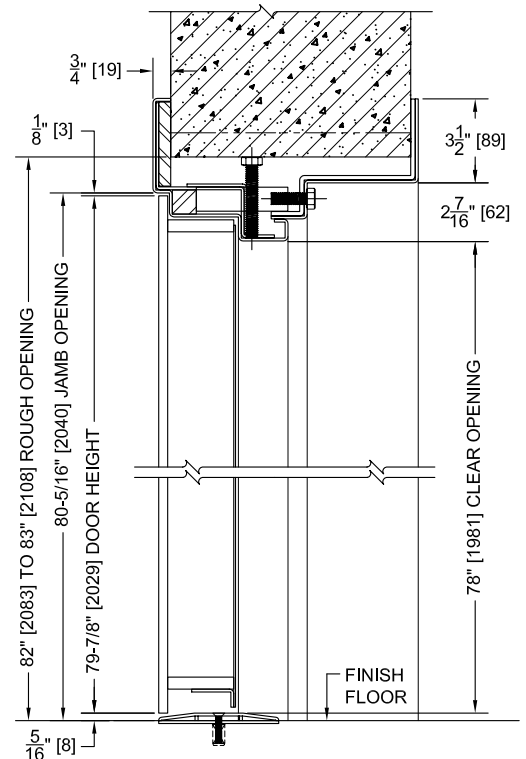
Shipping Weight: 1,395 lb  
Net Weight: 1,225 lb

**INFORMATION WE NEED TO PROCESS YOUR ORDER**

1. Contract or Purchase Order Number.
2. National Stock Number.
3. Wall Thickness.
4. Swing of Day Gate (if required).
5. Packing Level A or Level C. Level C Commercial Level is Standard.  
If Level A Military Export is Required, Please Specify.

**STANDARD HARDWARE PACKAGE**

3 Overly P-800 Hinges



**VERTICAL SECTION**