

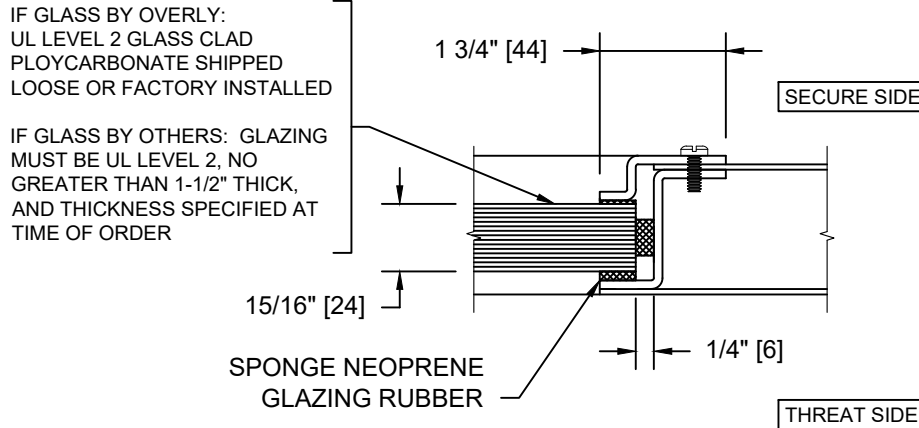
SERIES

BRM

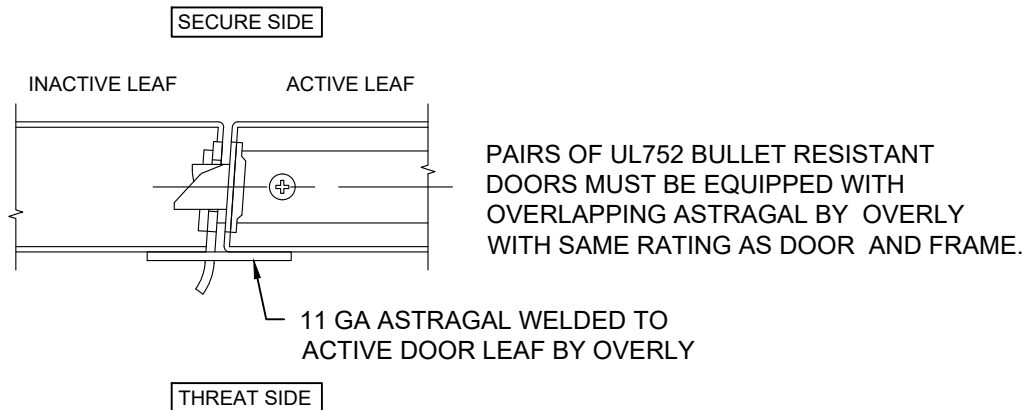


574 WEST OTTERMAN STREET
 POST OFFICE BOX 70
 GREENSBURG, PA 15601-0070
 TELEPHONE: 724-834-7300
 FAX: 724-830-2871

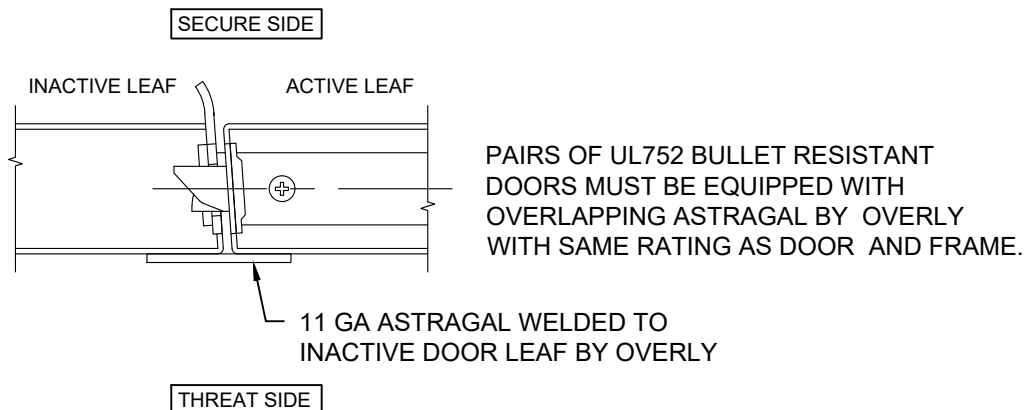
UL LEVEL 2 METAL BULLET RESISTANT GLAZING AND ASTRAGAL SYSTEMS



UL LEVEL 2 GLAZING REQUIREMENTS



UL LEVEL 2 ASTRAGAL DETAIL REVERSE BEVEL SWING



UL LEVEL 2 ASTRAGAL DETAIL REGULAR SWING