

SERIES

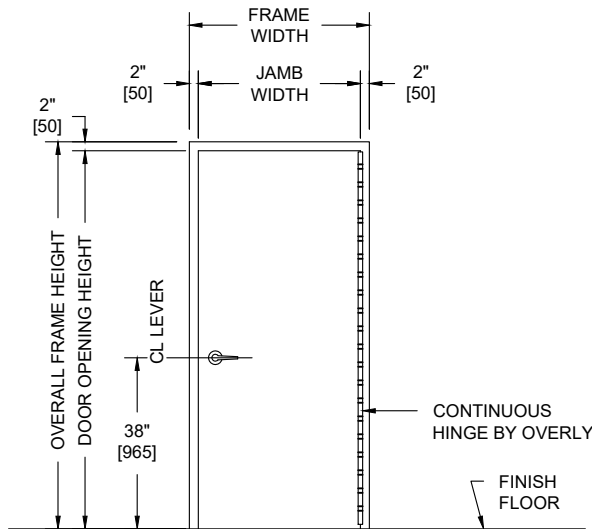
BRM

OVERLY

DOOR COMPANY

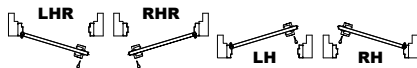
574 WEST OTTERMAN STREET
 POST OFFICE BOX 70
 GREENSBURG, PA 15601-0070
 TELEPHONE: 724-834-7300
 FAX: 724-830-2871

UL752 LEVEL 7, FLUSH, UP TO 3 HOUR FIRE RATED SINGLE SWING METAL FRAME AND DOOR ASSEMBLY



PUBLIC SIDE ELEVATION
 RIGHT HAND REVERSE BEVEL SHOWN

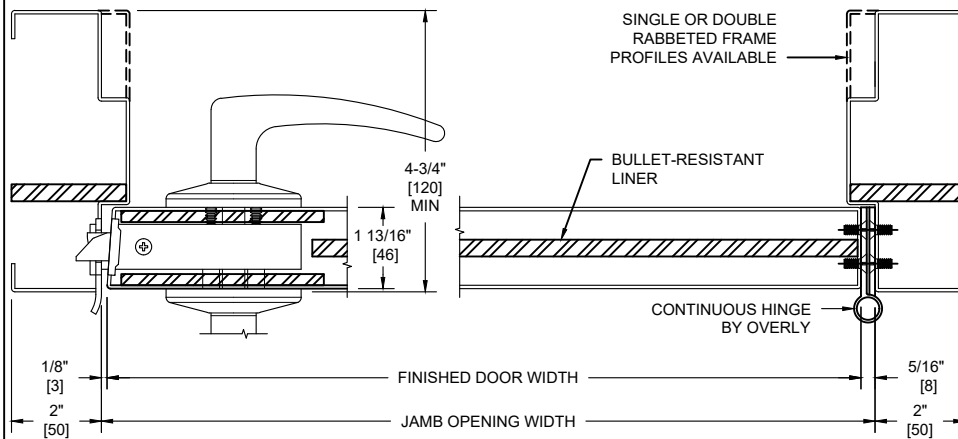
SECURED AREA (INTERIOR)



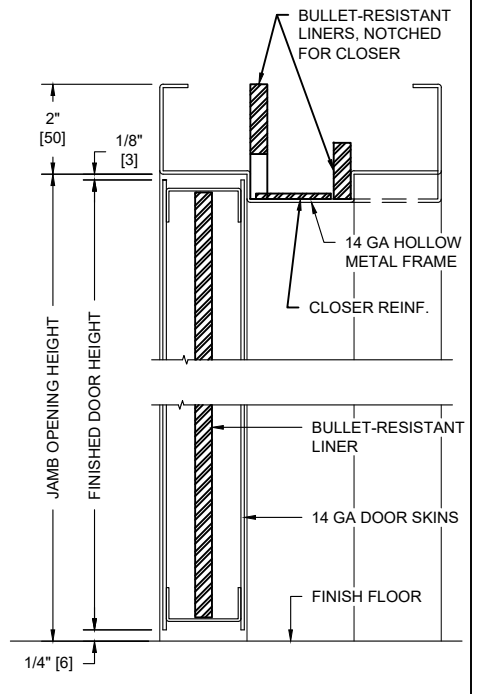
(KEY) SIDE
PUBLIC AREA (EXTERIOR)

NOTES:

- Both door and frame UL listed for UL752, Level 7 bullet resistance.
- Door and Frames can be fabricated from carbon or galvanized steel. All exposed surfaces of frame to receive one coat of rust inhibitive prime paint.
- Units can be UL fire rated up to 3 hours in accordance with UL standard 10C.
- Maximum door leaf size is 4'-0" x 10'-0".
- Door weight is 24.5 pounds / sq. foot.
- Doors to be hung on continuous hinges by Overly. Locks required to be BHMA Grade 1, 2, or 3. Electrical hardware with raceways available. Consult factory for specifics.



HORIZONTAL SECTION



VERTICAL SECTION

UL LEVEL	AMMUNITION	MINIMUM VELOCITY FPS/MPG	NUMBER OF SHOTS
7	5.56 RIFLE FULL METAL COPPER JACKET WITH LEAD CORE	3080 / 939	5