

# SERIES

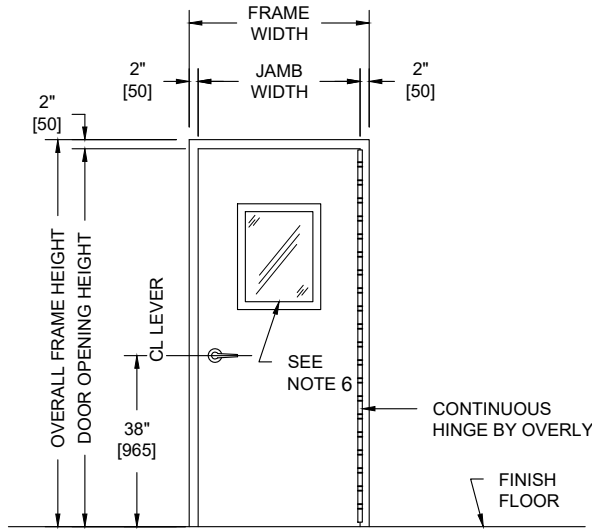
# BRM

# OVERLY

DOOR COMPANY

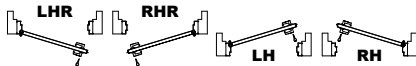
574 WEST OTTERMAN STREET  
 POST OFFICE BOX 70  
 GREENSBURG, PA 15601-0070  
 TELEPHONE: 724-834-7300  
 FAX: 724-830-2871

## UL752 LEVEL 4, VISION LIGHT, NON-UL FIRE RATED SINGLE SWING METAL FRAME AND DOOR ASSEMBLY



**PUBLIC SIDE ELEVATION**  
 RIGHT HAND REVERSE BEVEL SHOWN

**SECURED AREA (INTERIOR)**



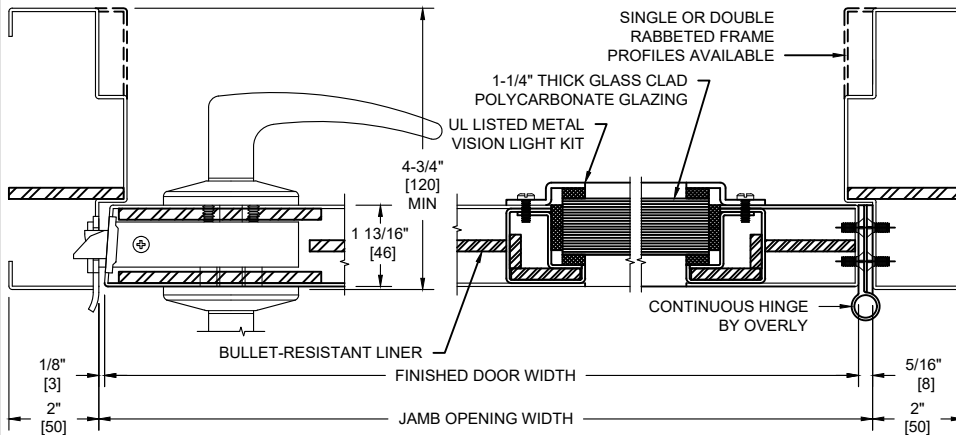
**(KEY) SIDE**

**PUBLIC AREA (EXTERIOR)**

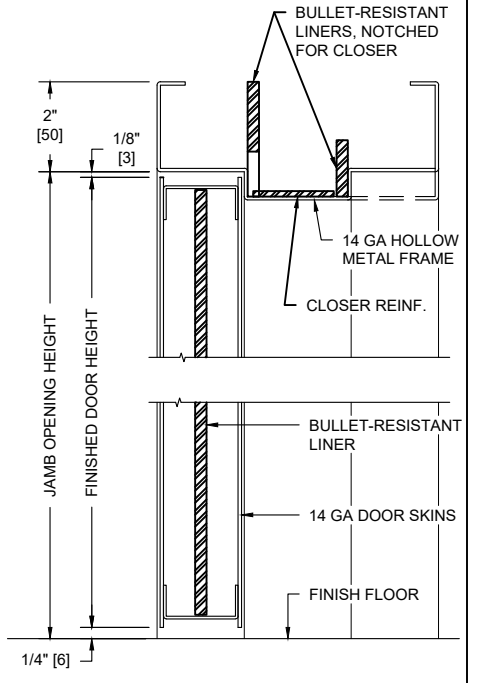
**NOTES:**

- Both door, frame and vision light kit UL listed for UL752, Level 4 bullet resistance.
- Door and Frames can be fabricated from carbon or galvanized steel. All exposed surfaces of frame to receive one coat of rust inhibitive prime paint.
- Maximum door leaf size is 4'-0" x 10'-0".
- Door weight is 19.2 pounds / sq. foot.
- Doors to be hung on continuous hinges by Overly. Locks required to be BHMA Grade 1, 2, or 3. Electrical hardware with raceways available. Consult factory for specifics.
- Doors equipped with UL Level 4, glass clad polycarbonate laminate with metal glazing system.

- 8" Minimum Stile
- 6" Minimum Top Rail
- 12" Minimum Bottom Rail



**HORIZONTAL SECTION**



**VERTICAL SECTION**

UL LEVEL	AMMUNITION	MINIMUM VELOCITY FPS/MP5	NUMBER OF SHOTS
4	.30 CALIBER RIFLE LEAD CORE SOFT POINT	2540 / 774	1

ALL DIMENSIONS  
 BOTH IN INCHES  
 AND MILLIMETERS