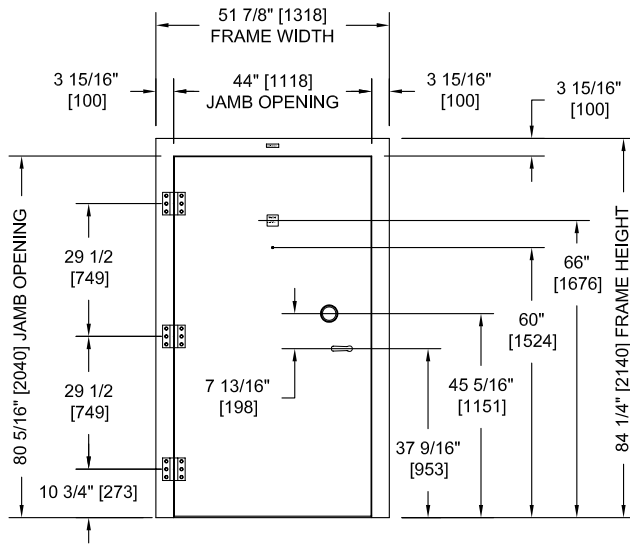
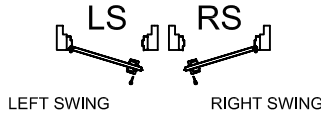


## MODEL NO. C5A-IL-K / CLASS 5 ARMORY DOOR AND FRAME ASSEMBLY TYPE IL, STYLE K, DESIGN S, LEFT SWING WITH OPTICAL DEVICE

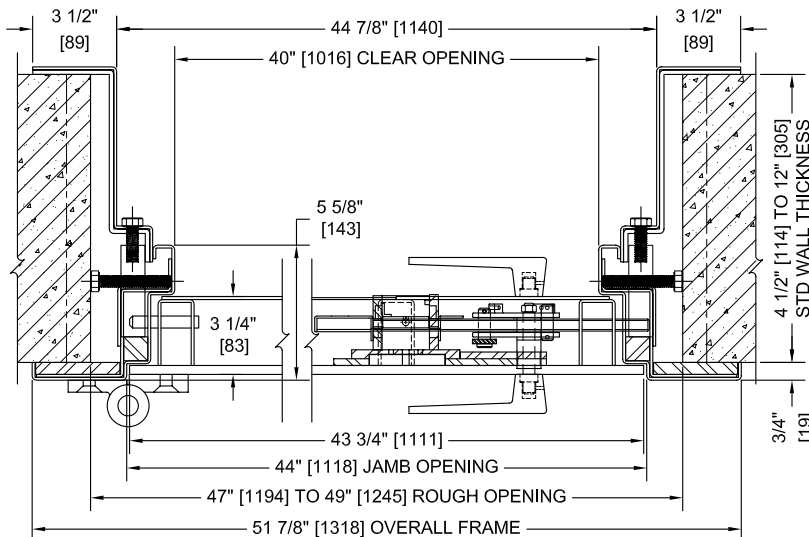


**PUBLIC SIDE ELEVATION**

### SECURE AREA (INTERIOR)



### (KEY) SIDE PUBLIC AREA (EXTERIOR)



**HORIZONTAL SECTION**

**Overly's Class 5 Security  
Armory Doors have been  
tested and approved  
under upgraded federal  
specification AA-D-600D**

<b>30</b>	MAN-MINUTES AGAINST COVERT ENTRY
<b>10</b>	MAN-MINUTES AGAINST FORCED ENTRY

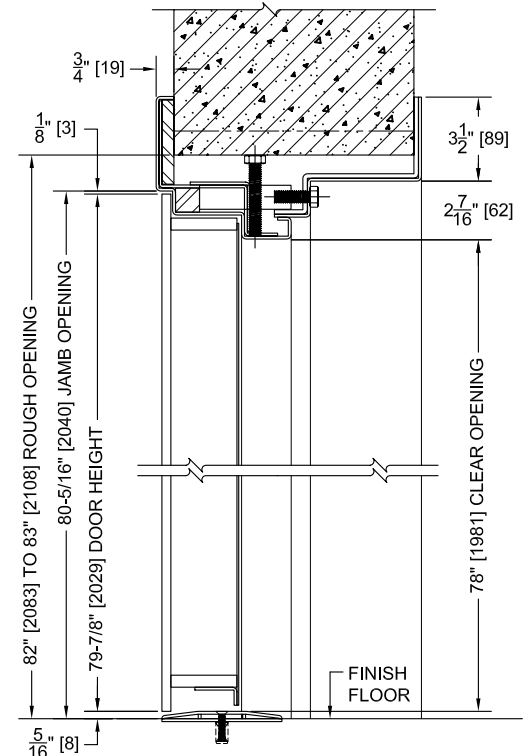
Shipping Weight: 1,395 lb  
Net Weight: 1,225 lb

#### INFORMATION WE NEED TO PROCESS YOUR ORDER

1. Contract or Purchase Order Number.
2. National Stock Number.
3. Wall Thickness.
4. Swing of Day Gate (if required).
5. Packing Level A or Level C. Level C Commercial Level is Standard.  
If Level A Military Export is Required, Please Specify.

#### STANDARD HARDWARE PACKAGE

- 1 S&G 2937 Combination Lock
- 3 Overly P-800 Hinges
- 1 Optical Device (Peep Site)
- 1 Exterior Lever Handle



**VERTICAL SECTION**