

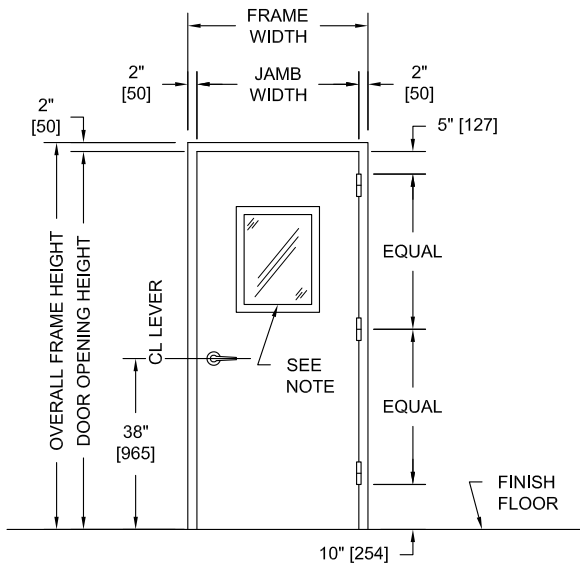
# SERIES

# SC



POST OFFICE BOX 70  
GREENSBURG, PA 15601-0070  
TELEPHONE: 724-834-7300  
FAX: 724-830-2871  
EMAIL: overly@overly.com

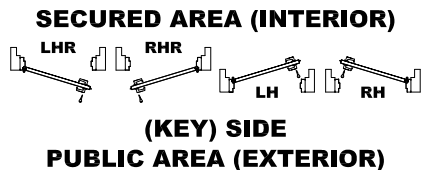
## MODEL NO. 490462 / UL FIRE RATED / STC 49 / DUAL GLAZED SOUND CONTROL DOOR AND FRAME ASSEMBLY / DUAL MAGNETIC GASKETS



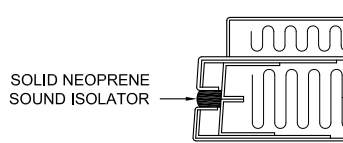
**PUBLIC SIDE ELEVATION**  
RIGHT HAND REVERSE BEVEL SHOWN

**NOTES:**

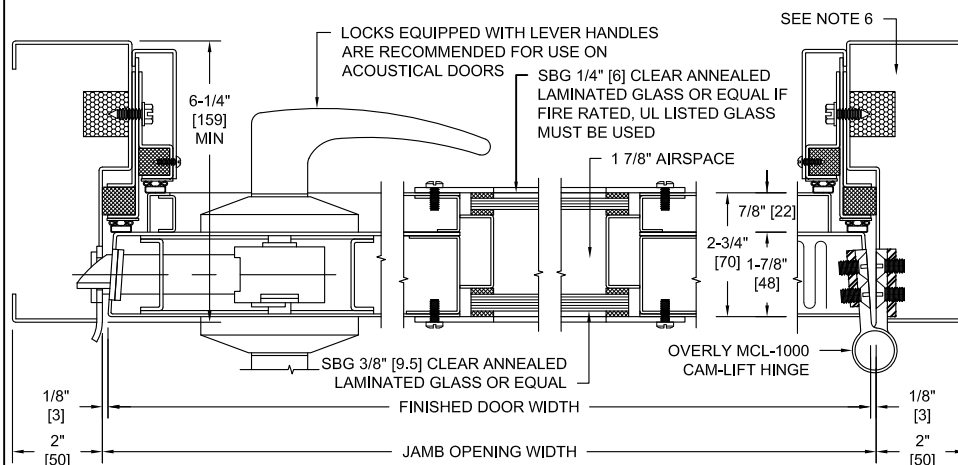
1. All exposed surfaces of door and frame to receive one coat of rust inhibitive prime paint.
2. Door bottom requires flush level sealing surface. Wood, aluminum, or stainless steel threshold recommended. Do not seal against carpet.
3. Frame is equipped with Overly dual magnetic seals at head and jambs. Door is equipped with an Overly Super "H" door bottom.
4. Door weight is 14.80 pounds per square foot.
5. Door can be equipped with standard builders hardware, Customer to specify. Concealed hardware is not recommended for acoustical doors.
6. Frames equipped with masonry anchors must be grouted full in field. Bolt-in type frames must have all voids in head and jambs packed with 6 to 12 pound density mineral wool and all voids between wall and frame continuously caulked.
7. UL fire labels available in compliance with UL10C. Consult factory for specifics.
8. Door tested acoustically with 300 square inch vision light. Customer to specify size.
9. Unit tested as single door at Riverbank Acoustical Laboratories. Results are described in Test Report No. TL04-62 with sound transmission results as shown in chart below.
10. The panel on the interior side of the door is factory recessed to accommodate cylindrical locksets. Mortise locksets require extension of push side cylinders, spindles, and thru-bolt screws.
11. Door construction is covered by US Patent No. 5,417,029.



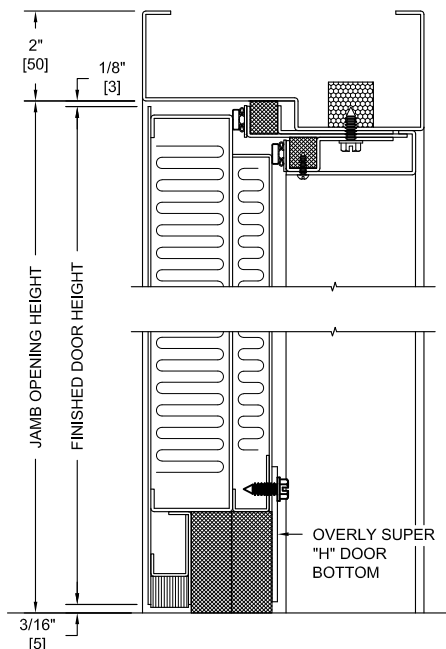
**(KEY) SIDE**  
**PUBLIC AREA (EXTERIOR)**



**TYPICAL EDGE CONSTRUCTION**  
ABOVE AND BELOW LOCK CUTOUTS



**HORIZONTAL SECTION**



**VERTICAL SECTION**

SOUND TRANSMISSION LOSS IN dB AT FREQUENCY / HERTZ																	
100	125	160	200	250	315	400	500	630	800	1000	1250	1600	2000	2500	3150	4000	5000
32	26	31	37	40	44	45	46	48	49	49	51	53	56	58	60	61	62

ALL DIMENSIONS BOTH IN INCHES AND MILLIMETERS