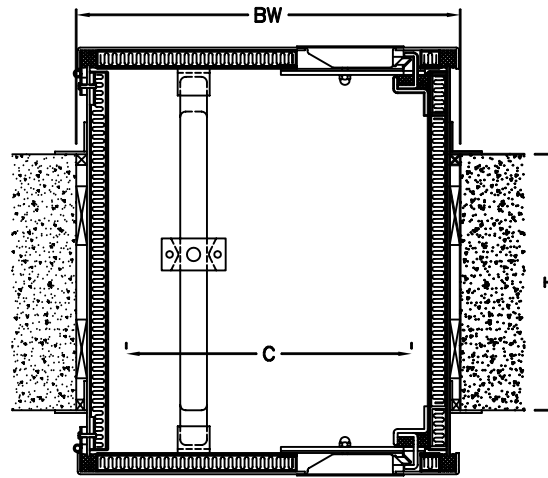


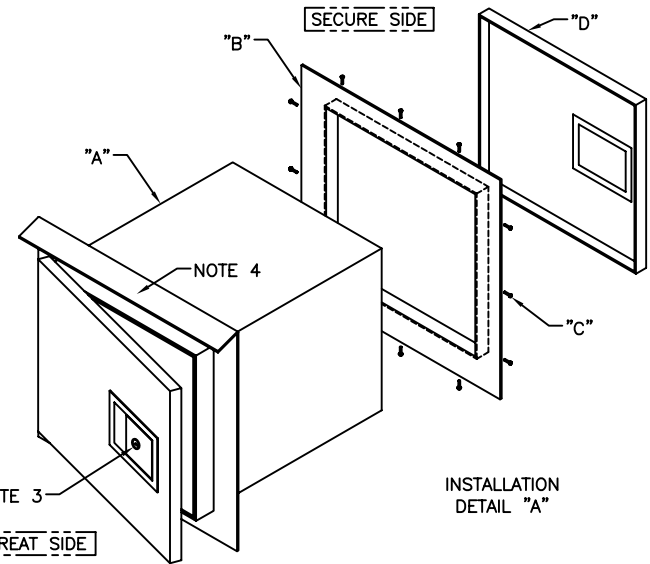
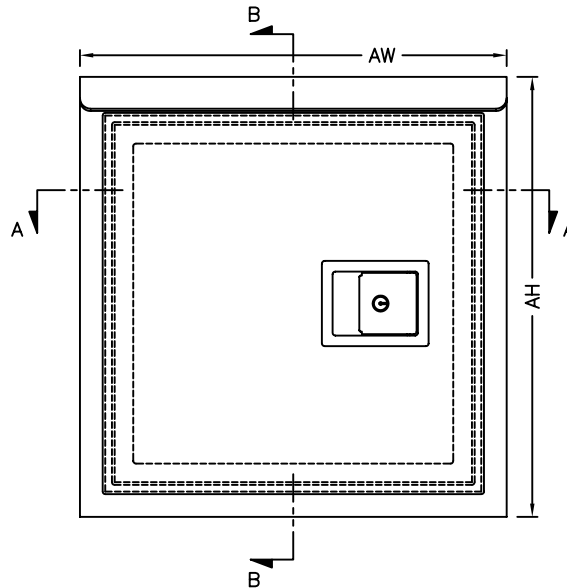
NOTES:

- 1) MODEL *SPT* UL FIRE RATED / UL BALLISTIC RATED / SOUND RATED / HIGH SECURITY CLAMP-ON PASS THROUGH
- 2) *UL* LEVEL 1-4 B/R RATING AVAILABLE ACCORDING TO *UL752*
- 3) KEY LOCKED PADDLE LATCH OPTIONAL TO EITHER OR BOTH THREAT AND SECURE SIDE. OPTIONAL PADLOCK HASP MAY ALSO BE INSTALLED ON SECURE SIDE DOOR
- 4) STAINLESS STEEL RAINDRIP AND SS PASSTRAY OPTIONAL
- 5) CHART 1 BELOW DEMONSTRATES THE RELEVANT DIMENSIONS FOR A STANDARD 18"x18" UNIT. THE "LH" IN THE MODEL NUMBER DESIGNATES A LEFT HAND SWING (SHOWN), SUBSTITUTE "RH" FOR RIGHT HAND. THE "M" RELATES TO A LEVEL 1 B/R RATING, SUBSTITUTE H,S, OR R FOR LEVELS 2-4 RESPECTIVELY. THE "P" RELATES TO A STANDARD PRIME COATED FINISH. CONSULT FACTORY FOR CUSTOM FINISHES AS WELL AS ADDITIONAL OPTIONS.
- 6) LABEL RATINGS AND DIMENSIONS TYP LEVEL 1-3
- 7) CERTIFICATE OF UL LABEL CONSTRUCTION ONLY

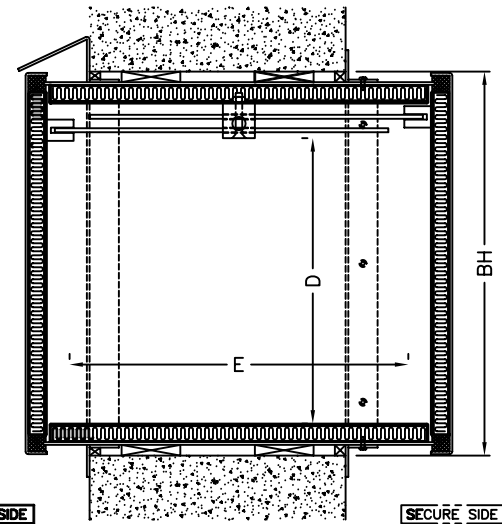
MODEL NO.		SPTLH.M.P1818 (NOTES 5&6)	SPTLH.R.P1818
LABEL	STC	52	52
	FIRE	B	NOTE 7
FLANGE	AW	20"	20"
	AH	20"	20"
WALL OPENING	BW	18"	18"
	BH	18"	18"
MAX PACKAGE SIZE	C	13-3/8"	12-7/8"
	D	13-3/8"	12-7/8"
	E	15-7/8"	15-7/8"
MAX PACKAGE W/ PASSTRAY	C'	12"	11-1/2"
	D'	13"	12-1/2"
	E'	12-1/4"	12-1/4"
MAX WALL THK	T	13"	13"



SECTION A-A



INSTALLATION DETAIL "A"



SECTION B-B

INSTALLATION: (SEE DETAIL A)

- 1) REMOVE INTERIOR DOOR ITEM "D" FROM ASSY AND SLIP OFF INTERIOR CLAMPING FLANGE ITEM "B"
- 2) INSERT PASS THRU "A" INTO PREPARED OPENING FROM THE EXTERIOR (THREAT SIDE)
- 3) BLOCK INTO SPACE, SQUARE UP UNIT AND CLAMP EXTERIOR FLANGE TIGHT AGAINST WALL
- 4) FROM THE SECURE SIDE, SLIP ON THE INTERIOR CLAMPING FLANGE ITEM "B"
- 5) MARK BOX THRU FLANGE FOR SCREWS TO SECURE CLAMPING FRAME. REMOVE BOX, IF NECESSARY, TO DRILL & TAP #8-32 HOLES FOR PROVIDED 1/2" TRUSS HEAD MACHINE SCREWS, ITEM "C"
- 6) REINSTALL PASS THROUGH, SECURE CLAMPING FLANGE AND ATTACH INTERIOR DOOR
- 7) CAULK BOTH SIDES OF UNIT FOR WEATHER TIGHTNESS AND APPEARANCE

NOTICE

THIS DRAWING AND DESIGN ARE THE PROPERTY OF THE OVERLY DOOR COMPANY. THIS DRAWING IS LOANED TO YOU SUBJECT TO THE CONDITION THAT IT SHALL NOT BE REPRODUCED, COPIED, LOANED OR OTHERWISE DISPOSED OF DIRECTLY OR INDIRECTLY. IT SHALL NOT BE USED TO FURNISH ANY INFORMATION FOR THE MAKING OF DRAWINGS, PRINTS OR APPARATUS, OR PARTS THEREOF, EXCEPT WHERE OTHERWISE SPECIFICALLY PROVIDED FOR BY CONTRACT AGREEMENT WITH THE OVERLY DOOR COMPANY.

SPT Series UL Fire Rated / UL Ballistic Rated / Sound Rated / Clamp-On High Security Package Pass-through



574 West Otterman Street
Greensburg, PA 15601
Phone: 800-979-7300
Fax: 724-830-2871
Email: overly@overly.com

DO NOT SCALE DRAWING

DRAWN BY/DATE:	JMC 12/05/2004
CONTROL NUMBER:	DET-154
FILENAME:	cut-spt.dwg