

EXPOSED FASTENERS

SUPPLEMENTAL BACKFRAME INSTRUCTION FOR SPLIT FRAME ACOUSTICAL DOORS

NOTE: These instructions are to be used in addition to the standard installation instructions for the type/model of Overly Acoustical Door supplied, and the approved submittal drawings for your order.

Install the main frame for the opening per the standard installation instruction provided.
Install acoustical door(s) as required per supplied installation instructions.
Install and adjust the acoustical gasketing, if required.

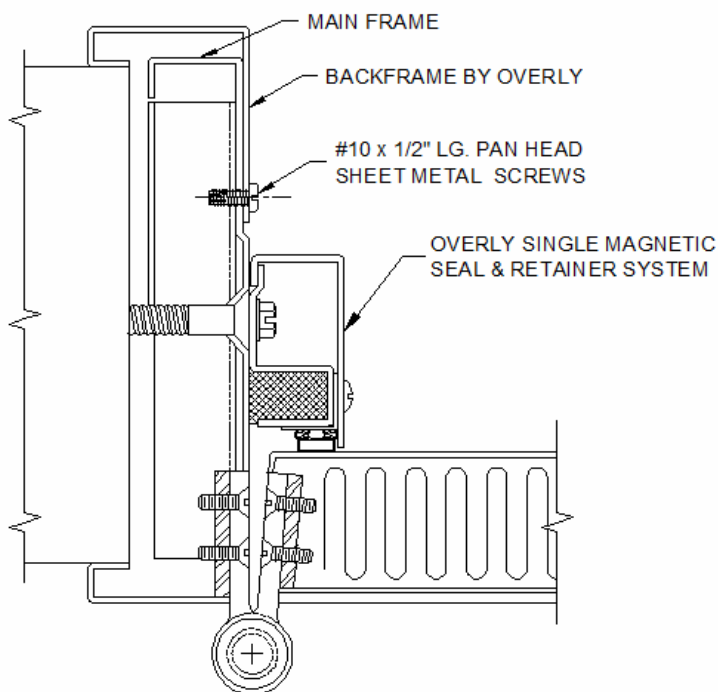
Locate the **Welded Backframe Assembly**, provided with the main frame, for the opening and the #10 x 1/2" lg fasteners (or other fasteners listed on the approved submittal drawings).

Orientate the welded backframe assembly to slide against the main frame and wrap the wall as shown on the approved submittal drawings for your order. Slide the backframe assembly toward the door until the backframe assembly is bottomed-out against the wall.

Place the welded backframe assembly against the main frame and hold tight against the wall. Using the pre-punched holes in the backframe assembly as a guide drill through the main frame using the appropriate drill bit:

#10 x 1/2" sheet metal screw: pre-drill with a 9/64" drill bit

#10-24 x 1/2" machine screw: pre-drill with a #21 drill bit, then tap holes
(Other appropriate drill bit (and tap) to prepare for fasteners listed on the approved submittal drawings)



Typical Backframe Details

However refer to the APPROVED
SUBMITTAL DRAWINGS for your
order for specific main frame/backframe
arrangements