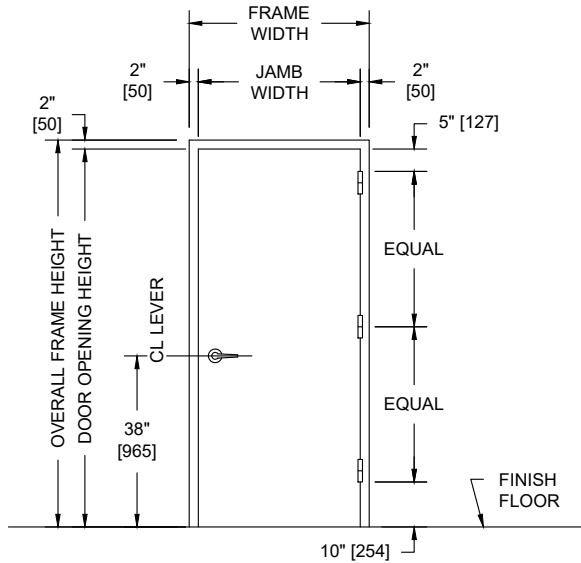


**MODEL NO. 4712168 / UL FIRE RATED / STC 47 / FLUSH SOUND CONTROL DOOR AND FRAME ASSEMBLY / DOUBLE BUBBLE SEALS**

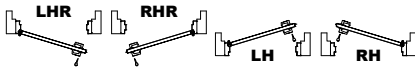


**PUBLIC SIDE ELEVATION**  
RIGHT HAND REVERSE BEVEL SHOWN

**NOTES:**

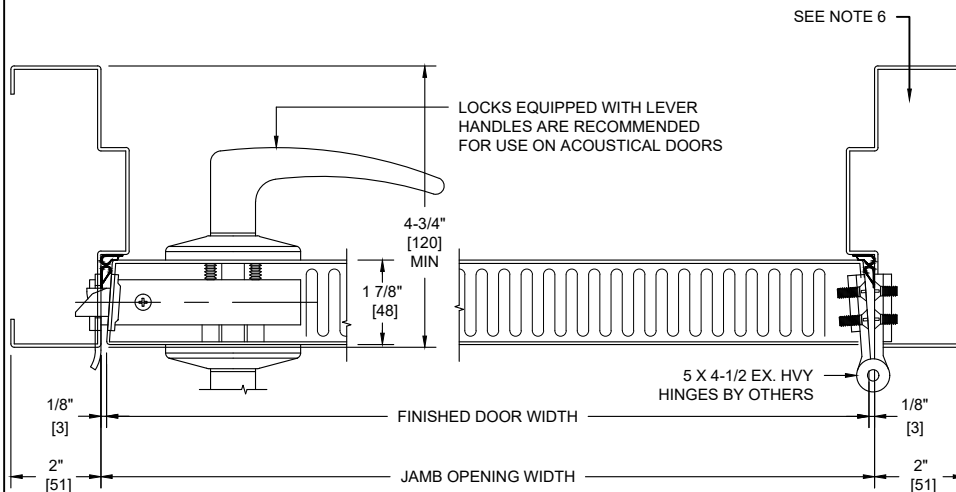
1. All exposed surfaces of door and frame to receive one coat of rust inhibitive prime paint.
2. Door bottom requires flush level sealing surface. Wood, aluminum, or stainless steel threshold recommended. Do not seal against carpet.
3. Frame is equipped with Overly double bubble seals at head and jambs. Door is equipped with an automatic door bottom.
4. Door weight is 8.04 pounds per square foot.
5. Door can be equipped with standard builders hardware, customer to specify. Concealed hardware is not recommended for acoustical doors.
6. Frames equipped with masonry anchors must be grouted full in field. Bolt-in type frames must have all voids in head and jambs packed with 6 to 12 pound density mineral wool and all voids between wall and frame continuously caulked.
7. UL fire labels available in compliance with UL10B and UL10C/UBC7-2. UL labeled units require a closer and three hinges. Consult factory for specifics.
8. Unit tested as single door at Riverbank Acoustical Laboratories. Results are described in Test Report No. TL12-168 with sound transmission results as shown in chart below.
9. Door construction is covered by US Patent No. 5,417,029.

**SECURED AREA (INTERIOR)**

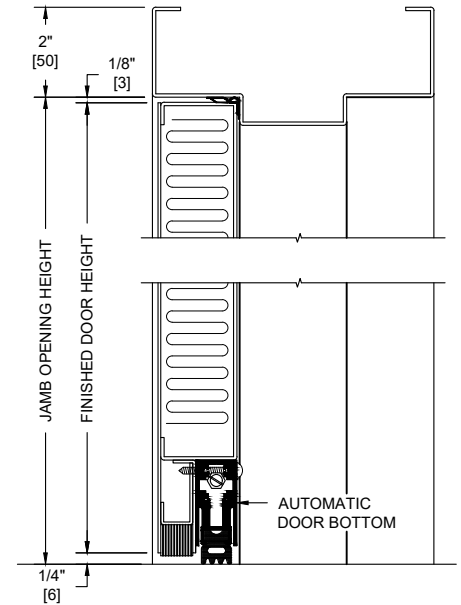


**(KEY) SIDE**

**PUBLIC AREA (EXTERIOR)**



**HORIZONTAL SECTION**



**VERTICAL SECTION**

SOUND TRANSMISSION LOSS IN dB AT FREQUENCY / HERTZ																	
100	125	160	200	250	315	400	500	630	800	1000	1250	1600	2000	2500	3150	4000	5000
26	30	33	33	35	40	46	45	47	48	49	49	49	50	51	51	50	51

ALL DIMENSIONS BOTH IN INCHES AND MILLIMETERS