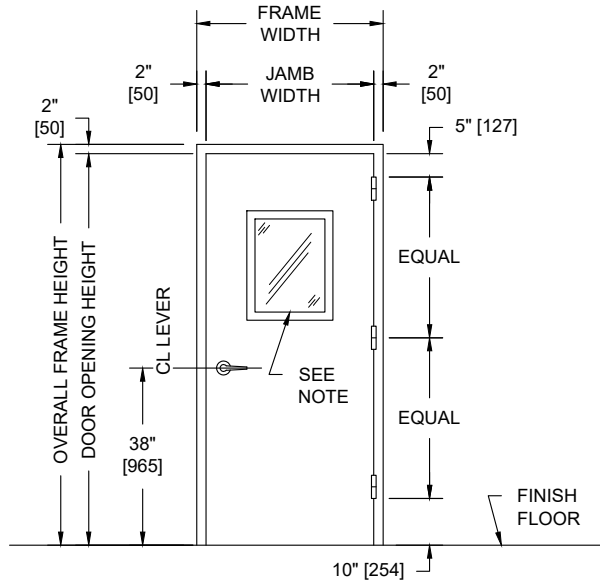
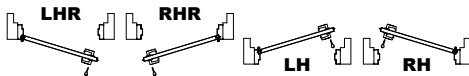


MODEL NO. 4411252 / FIRE RATED / STC 44 / E90-09 / WOOD / SOUND CONTROL DOOR AND FRAME ASSEMBLY / COMPRESSION SEALS



PUBLIC SIDE ELEVATION
RIGHT HAND REVERSE BEVEL SHOWN

SECURED AREA (INTERIOR)

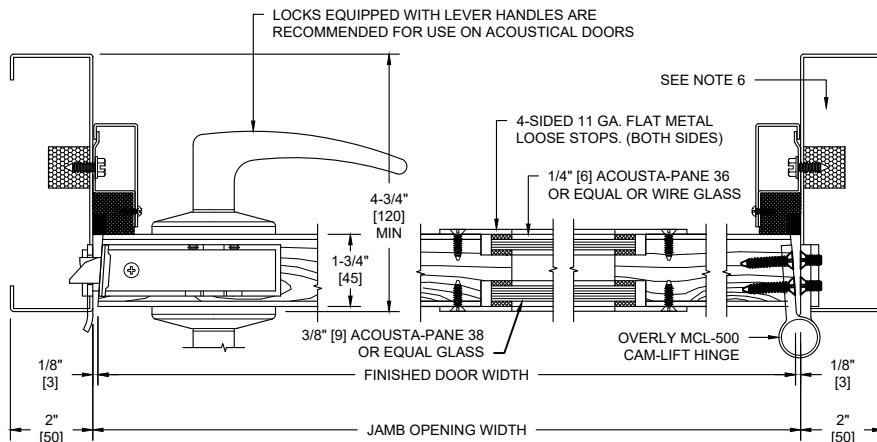


(KEY) SIDE

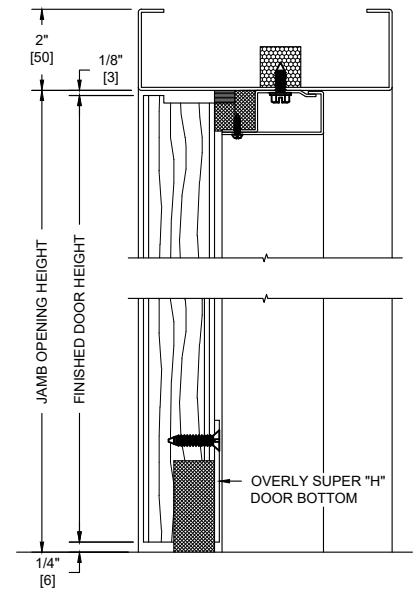
PUBLIC AREA (EXTERIOR)

NOTES:

- All exposed surfaces of frame to receive one coat of rust inhibitive prime paint.
- Door bottom requires a flush level sealing surface. Wood, aluminum, or stainless steel thresholds are recommended. Do not seal against carpet.
- Frame is equipped with Overly Single "H" compression seals at head and jambs. Door is equipped with an Overly Super "H" door bottom.
- Door weight is 9.20 pounds per square foot.
- Door can be equipped with standard builders hardware, Customer to specify. No concealed or electrically operated hardware is permitted.
- Frames equipped with masonry anchors must be grouted full in field. Bolt-in type frames must have all voids in head and jambs packed with 6 to 12 pound density mineral wool and all voids between wall and frame continuously caulked.
- Wood species, cut and finish to be determined by the Architect.
- Unit tested as single door with a 300 sq. in. metal dual glazed vision light system at Riverbank Acoustical Laboratories. Results are described in Test Report No. TL11-252 with sound transmission results as shown in chart below.
- Maximum leaf size 4' x 10' available. Up to 4' x 8' single swing units can bear up to 45 min UL 10C fire label with up to 1,296 sq. in. vision light. Doors swinging in pairs cannot be fire labeled unless provided with a mullion.
- Door construction is covered by US Patent No. 6,112,496.



HORIZONTAL SECTION



VERTICAL SECTION

| SOUND TRANSMISSION LOSS IN dB AT FREQUENCY / HERTZ | | | | | | | | | | | | | | | | | |
|--|-----|-----|-----|-----|-----|-----|-----|-----|-----|------|------|------|------|------|------|------|------|
| 100 | 125 | 160 | 200 | 250 | 315 | 400 | 500 | 630 | 800 | 1000 | 1250 | 1600 | 2000 | 2500 | 3150 | 4000 | 5000 |
| 32 | 29 | 29 | 28 | 32 | 32 | 38 | 43 | 45 | 46 | 47 | 47 | 49 | 51 | 52 | 50 | 50 | 50 |

ALL DIMENSIONS BOTH IN INCHES AND MILLIMETERS