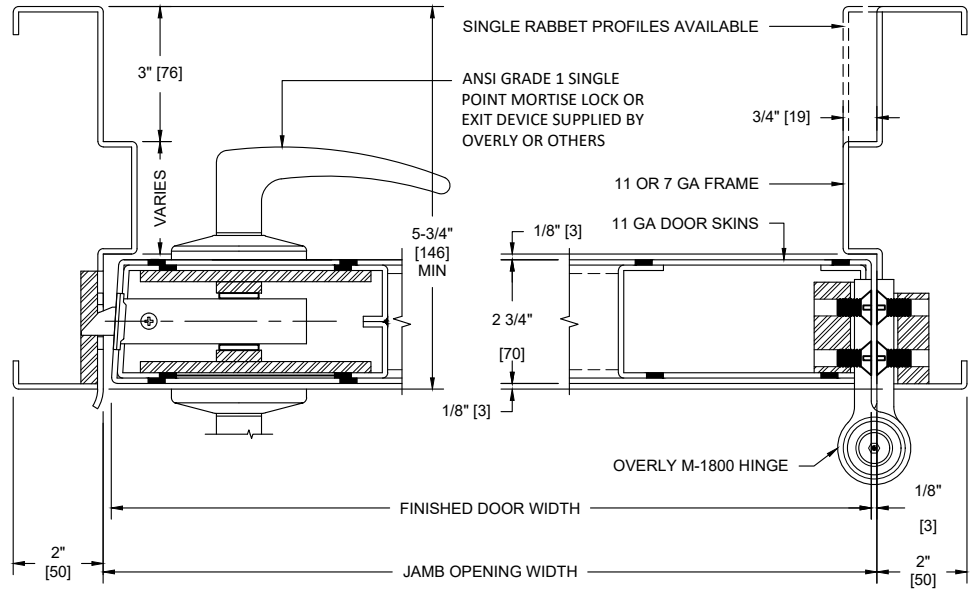


MODEL NO. MRB-0S / SINGLE POINT / 60.0 PSI SEATING STATIC LOAD / BLAST RESISTANT DOOR AND FRAME ASSEMBLY / SINGLE SWING

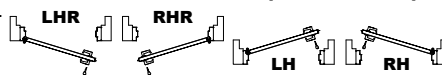
NOTES:

1. A 3'-0" x 7'-0" opening can be designed to withstand up to 60.0 psi total static load in the seating direction only. The rebound resistance is 0%. Certain hardware restrictions may apply. Final pressure rating will be determined by our Blast Engineering Department once entire product has been specified. See chart below.
2. All exposed surfaces of door and frame to receive one coat of rust inhibitive prime paint.
3. Door must be equipped with a standard ANSI Grade 1 single point mortise lock or exit device and Overly M-1800 extreme duty hinges.
4. Various weather-stripping options are available.
5. Removable and fixed type transom configurations are available.
6. Various size vision lites available.
7. Also available with 24 VDC electric lock/unlock or electric latch retraction.

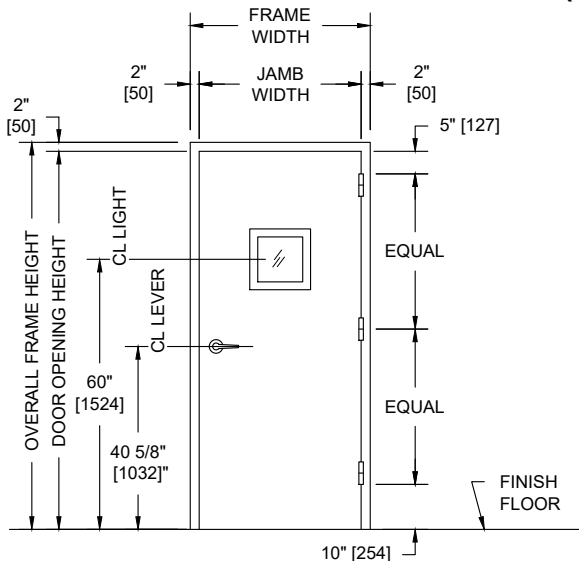


HORIZONTAL SECTION

SECURED AREA (INTERIOR)

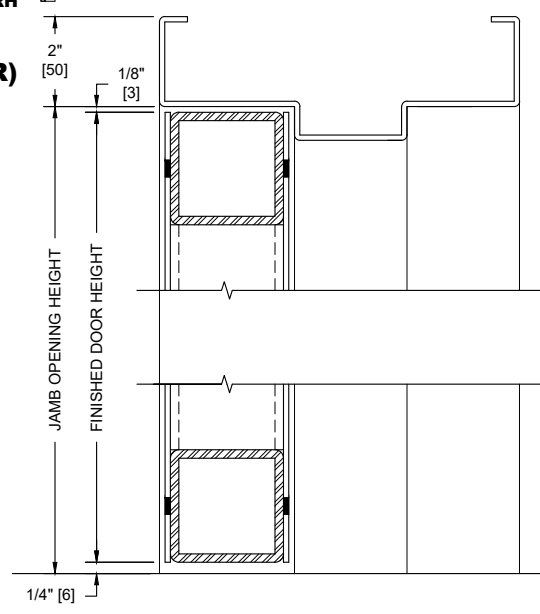


**(KEY) SIDE
PUBLIC AREA (EXTERIOR)**



PUBLIC SIDE ELEVATION

RIGHT HAND REVERSE BEVEL SHOWN
SHOWN WITH 10" X 10" VISION LIGHT



VERTICAL SECTION

PRE-ENGINEERED BLAST DOOR SELECTOR CHART				
3'-0" x 7'-0"	3'-0" x 8'-0"	3'-0" x 9'-2"	4'-0" x 7'-0"	4'-0" x 8'-0"
60.0 psi [413.7 kPa]	52.5 psi [362.0 kPa]	45.8 psi [315.8 kPa]	45.0 psi [310.3 kPa]	39.4 psi [271.7 kPa]

ALL DIMENSIONS
BOTH IN INCHES
AND MILLIMETERS