

SERIES

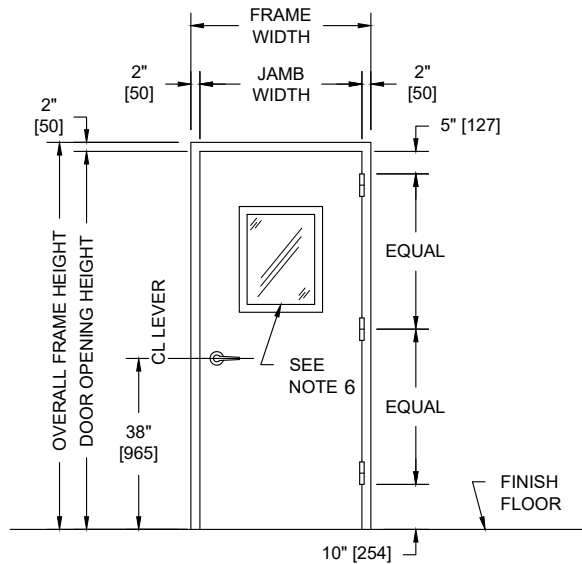
BRM

OVERLY

DOOR COMPANY

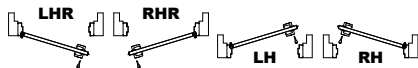
POST OFFICE BOX 70
GREENSBURG, PA 15601-0070
TELEPHONE: 724-834-7300
FAX: 724-830-2871
WWW.OVERLY.COM

UL752 LEVEL 1, VISION LIGHT, NON-UL FIRE RATED SINGLE SWING METAL FRAME AND DOOR ASSEMBLY



PUBLIC SIDE ELEVATION
RIGHT HAND REVERSE BEVEL SHOWN

SECURED AREA (INTERIOR)

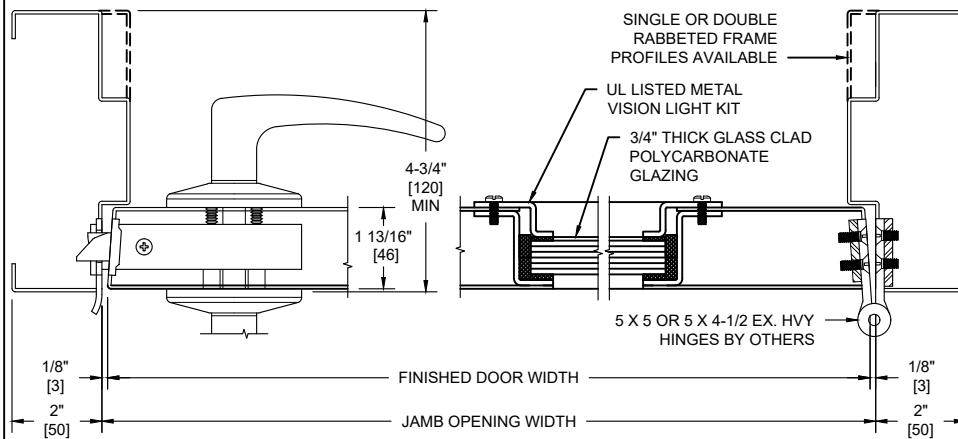


(KEY) SIDE

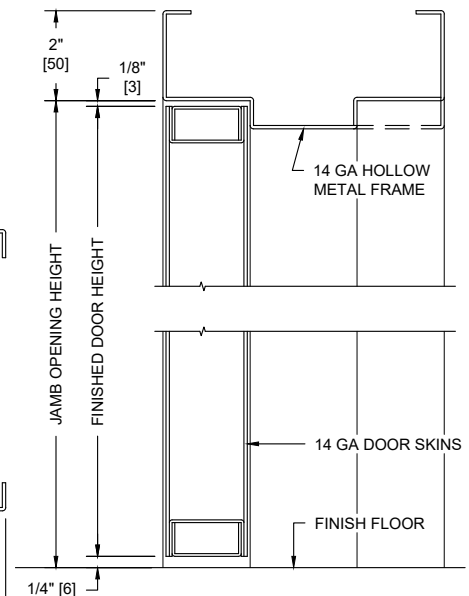
PUBLIC AREA (EXTERIOR)

NOTES:

- Both door, frame and vision light kit UL listed for UL752, Level 1 bullet resistance.
- Door and Frames can be fabricated from carbon or galvanized steel. All exposed surfaces of frame to receive one coat of rust inhibitive prime paint.
- Maximum door leaf size is 4'-0" x 10'-0".
- Door weight is 8.4 pounds / sq. foot.
- Doors recommended to be hung on 5" heavy weight or continuous hinges. Locks required to be BHMA Grade 1, 2, or 3. Electrical hardware with raceways available. Consult factory for specifics.
- Doors equipped with UL Level 1, glass clad polycarbonate laminate with metal glazing system.
 - 8" Minimum Stile
 - 6" Minimum Top Rail
 - 12" Minimum Bottom Rail



HORIZONTAL SECTION



VERTICAL SECTION

UL LEVEL	AMMUNITION	MINIMUM VELOCITY FPS/MP5	NUMBER OF SHOTS
1	9mm FULL METAL COPPER JACKET WITH LEAD CORE	1175 / 358	3