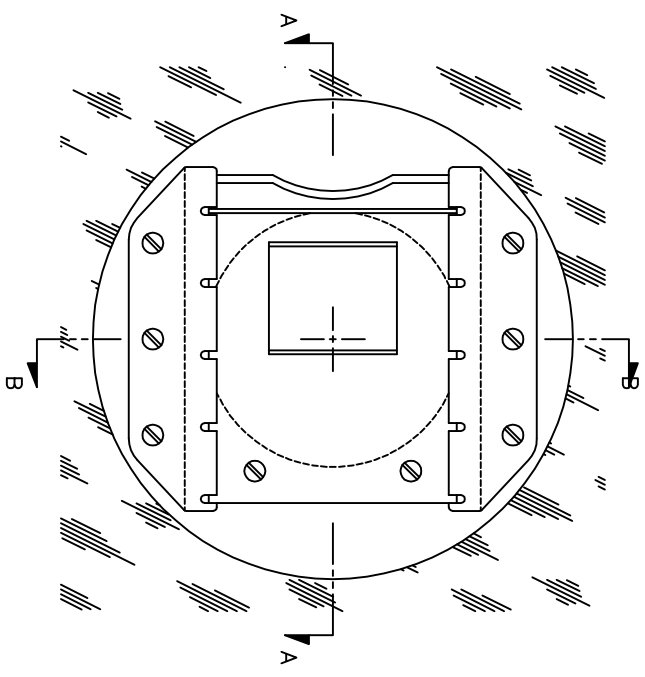
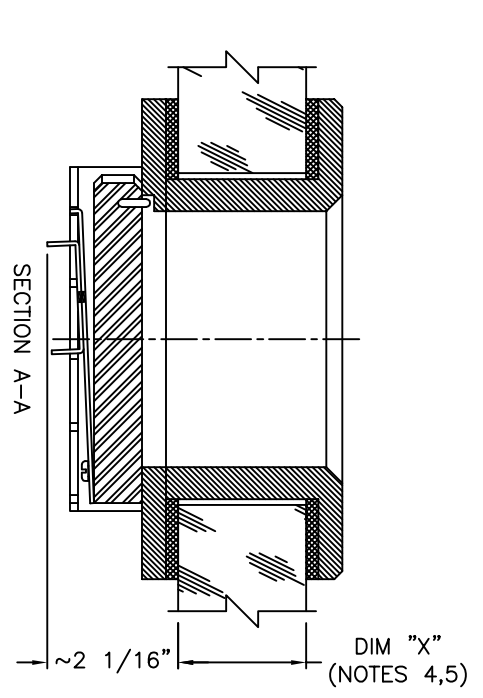
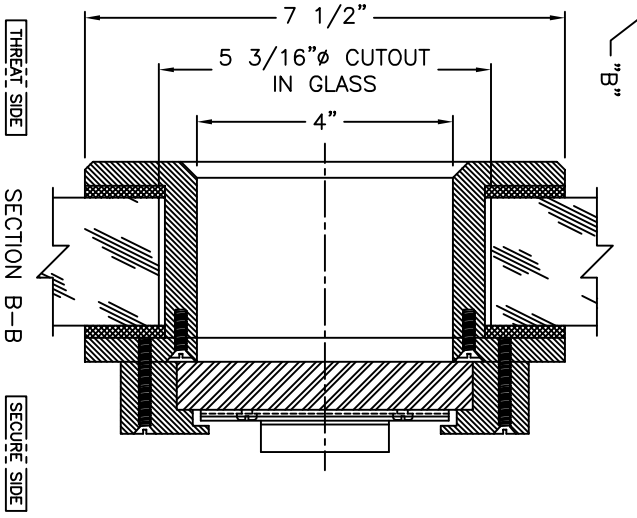


NOTES:

- 1) MODEL *GPSMG* ARMORED GUN PORTS FOR SUB MACHINE GUNS
- 2) *UL* LEVEL 1-8 B/R RATING
- 3) BULLET RESISTANT ACCORDING TO *UL752*
- 4) DIMENSIONS ARE IDENTICAL FOR ALL MODELS EXCEPT FOR "X", WHICH IS DETERMINED BY THE NOMINAL GLAZING THICKNESS WHICH IN TURN IS DEPENDENT UPON THE B/R RATING REQD
- 5) LEVEL 4 (HPR) GLASS SHOWN

INSTALLATION:

- 1) DISASSEMBLE GUN PORT INTO PARTS SHOWN IN DETAIL "A" ABOVE
- 2) INSERT ONE GASKET ITEM "B" AGAINST THE FLANGE OF THE HOUSING, ITEM "A". INSERT BOTH INTO GLASS OPENING FROM THE EXTERIOR (THREAT SIDE)
- 3) SLIP ON SECOND GASKET, ITEM "B" AND CONNECT INNER PLATE "C" WITH FLATHEAD SCREWS "D" PROVIDED
- 4) FASTEN SUBASSEMBLY "E" WITH FLATHEAD SCREWS "F" PROVIDED



NOTICE

THIS DRAWING AND DESIGN ARE THE PROPERTY OF THE OVERLY DOOR COMPANY. THIS DRAWING IS LOANED TO YOU SUBJECT TO THE CONDITION THAT IT SHALL NOT BE REPRODUCED, COPIED, LOANED OR OTHERWISE DISPOSED OF DIRECTLY OR INDIRECTLY. IT SHALL NOT BE USED TO FURNISH ANY INFORMATION FOR THE MAKING OF DRAWINGS, PRINTS OR APPARATUS, OR PARTS THEREOF, EXCEPT WHERE OTHERWISE SPECIFICALLY PROVIDED FOR BY CONTRACT AGREEMENT WITH THE OVERLY DOOR COMPANY.

**Model GPSMG Armored
Gunport for Sub Machine Guns**



574 West Ollerman Street
Greensburg, PA 15601
Phone: 800-497-7200
Fax: 724-430-2871
Email: overly@overly.com

DO NOT SCALE DRAWING

DRAWN BY/DATE: JMC 2/10/2010

CONTROL NUMBER: DET-151

FILENAME: out-gpsmg.dwg