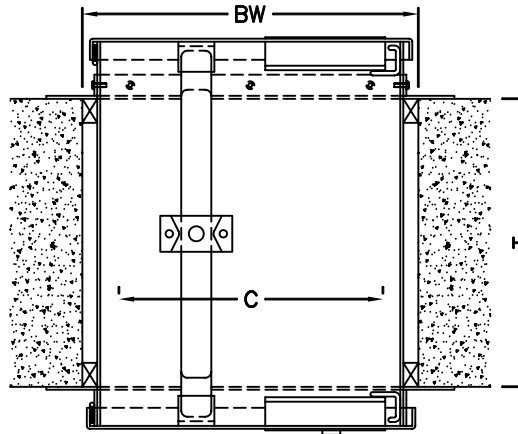


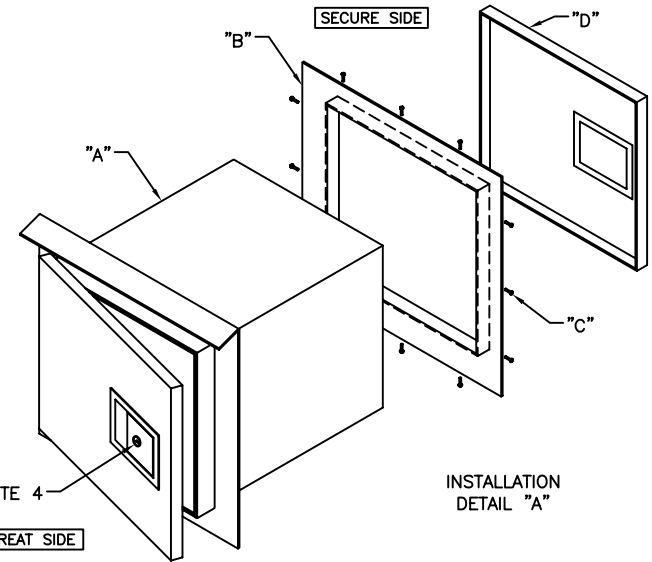
NOTES:

- 1) MODEL *PTD* CLAMP-ON ARMORED PACKAGE PASS THROUGH
- 2) *UL* LEVEL 1-2 B/R RATING STANDARD
UL LEVEL 3-4 B/R RATING OPTIONAL
- 3) BULLET RESISTANT ACCORDING TO *UL752*
- 4) KEY LOCKED PADDLE LATCH OPTIONAL TO EITHER OR BOTH THREAT AND SECURE SIDE. OPTIONAL PADLOCK HASP MAY ALSO BE INSTALLED ON SECURE SIDE DOOR
- 5) CHART 1 BELOW DEMONSTRATES THE RELEVANT DIMENSIONS FOR THE TWO STANDARD SIZE UNITS. THE "M" IN THE MODEL NUMBER RELATES TO A LEVEL 1 B/R RATING. IF A HIGHER BULLET RESISTIVE RATING IS REQUIRED, SUBSTITUTE H,S, OR R FOR LEVELS 2-4 RESPECTIVELY.

CHART 1			
MODEL NO.		PTD.M.1717	PTD.M.2222
FLANGE	AW	17"	22"
	AH	17"	22"
WALL OPENING	BW	14"	19"
	BH	14"	19"
MAX PACKAGE SIZE	C	12"	14"
	D	11"	16"
	E	10"	15"
MAX WALL THK	T	12"	14"



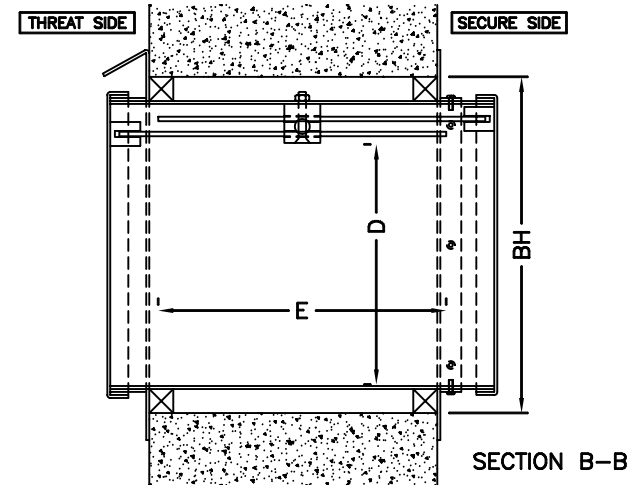
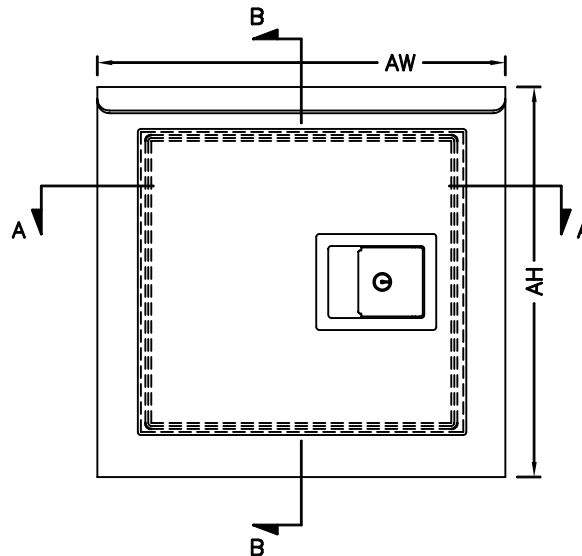
SECTION A-A



NOTE 4

THREAT SIDE

INSTALLATION DETAIL "A"



SECTION B-B

INSTALLATION: (SEE DETAIL A)

- 1) REMOVE INTERIOR DOOR ITEM "D" FROM ASSY AND SLIP OFF INTERIOR CLAMPING FLANGE ITEM "B"
- 2) INSERT PASS THRU "A" INTO PREPARED OPENING FROM THE EXTERIOR (THREAT SIDE)
- 3) BLOCK INTO SPACE, SQUARE UP UNIT AND CLAMP EXTERIOR FLANGE TIGHT AGAINST WALL
- 4) FROM THE SECURE SIDE, SLIP ON THE INTERIOR CLAMPING FLANGE ITEM "B"
- 5) MARK BOX THRU FLANGE FOR SCREWS TO SECURE CLAMPING FRAME. REMOVE BOX, IF NECESSARY, TO DRILL & TAP #8-32 HOLES FOR PROVIDED 1/2" TRUSS HEAD MACHINE SCREWS, ITEM "C"
- 6) REINSTALL PASS THROUGH, SECURE CLAMPING FLANGE AND ATTACH INTERIOR DOOR
- 7) CAULK BOTH SIDES OF UNIT FOR WEATHER TIGHTNESS AND APPEARANCE

NOTICE

THIS DRAWING AND DESIGN ARE THE PROPERTY OF THE OVERLY DOOR COMPANY. THIS DRAWING IS LOANED TO YOU SUBJECT TO THE CONDITION THAT IT SHALL NOT BE REPRODUCED, COPIED, LOANED OR OTHERWISE DISPOSED OF DIRECTLY OR INDIRECTLY. IT SHALL NOT BE USED TO FURNISH ANY INFORMATION FOR THE MAKING OF DRAWINGS, PRINTS OR APPARATUS, OR PARTS THEREOF, EXCEPT WHERE OTHERWISE SPECIFICALLY PROVIDED FOR BY CONTRACT AGREEMENT WITH THE OVERLY DOOR COMPANY.

**PTD Series Bullet Resistive
Clamp-On Package Through**

OVERLY
DOOR COMPANY

574 West Otterman Street
Greensburg, PA 15601
Phone: 800-979-7300
Fax: 724-830-2871
Email: overly@overly.com

DO NOT SCALE DRAWING

DRAWN BY/DATE: JMC 12/05/2004

CONTROL NUMBER: DET-153

FILENAME: cut-ptd.dwg