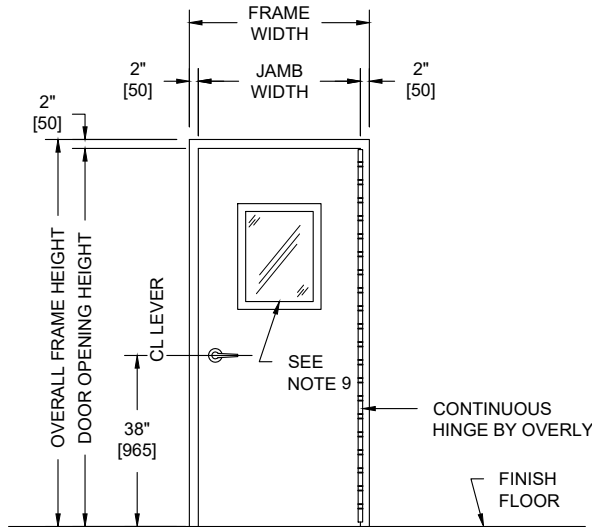
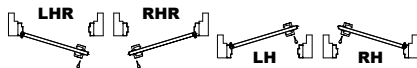


UL752 LEVEL 8, FLUSH, NON-UL FIRE RATED SINGLE SWING METAL FRAME AND WOOD DOOR ASSEMBLY



PUBLIC SIDE ELEVATION
RIGHT HAND REVERSE BEVEL SHOWN

SECURED AREA (INTERIOR)

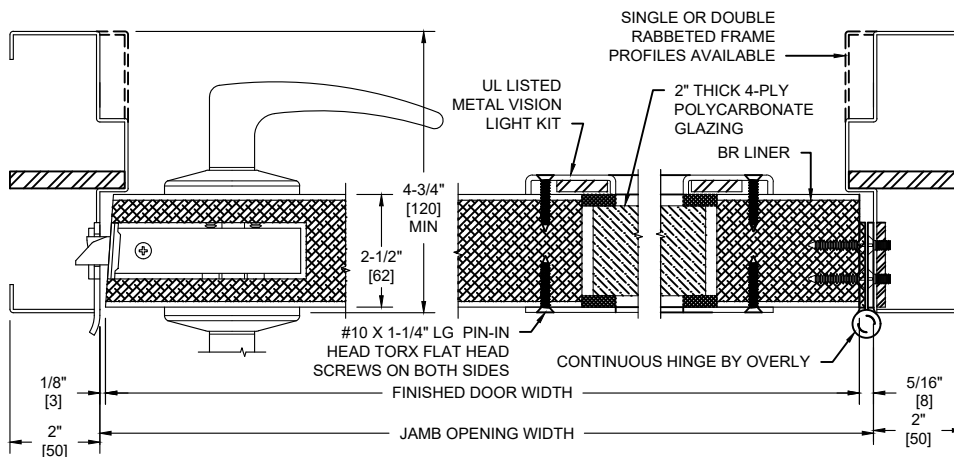


(KEY) SIDE

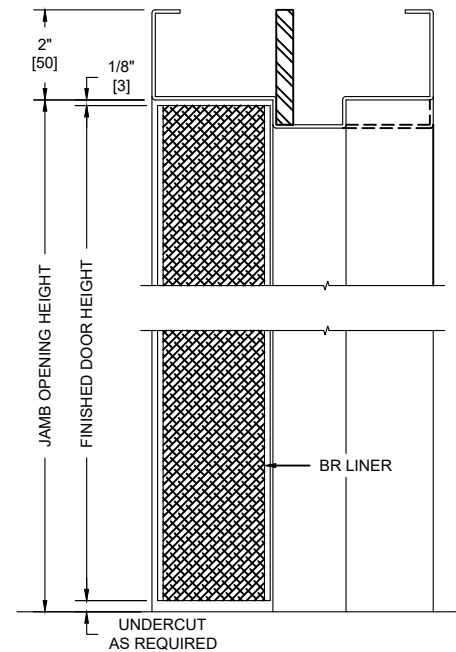
PUBLIC AREA (EXTERIOR)

NOTES:

1. Frame UL listed for UL752, Level 8 bullet resistance. Door fabricated using UL752 listed, Level 8 fiberglass BR liner.
2. Doors are for interior use only.
3. Doors hung in carbon steel frame. All exposed surfaces of frame to receive one coat of rust inhibitive prime paint.
4. Units cannot be UL fire rated.
5. Maximum door leaf size is 4'-0" x 10'-0".
6. Door weight is 21.3 pounds / sq. foot.
7. Doors to be hung on continuous hinges by Overly. Locks required to be BHMA Grade 1, 2, or 3. Electrical hardware with raceways available. Consult factory for specifics.
8. MDO and veneer faces available in unfinished, primed, clear, or custom stains. Plastic laminates also available.
9. Doors equipped with factory glazed UL Level 8, 4-ply polycarbonate laminate with metal glazing system. 10" minimum stile, 6" minimum top rail for narrow lights and 8" for lights where width may interfere with door closer mounting. 12" minimum bottom rail. If electrical locks are required, please consult the factory for minimum lock stile for specific electrified lock required.



HORIZONTAL SECTION



VERTICAL SECTION

UL LEVEL	AMMUNITION	MINIMUM VELOCITY FPS/MPs	NUMBER OF SHOTS
8	7.62mm RIFLE LEAD CORE FULL METAL COPPER JACKET, MILITARY BALL	2750 / 838	5