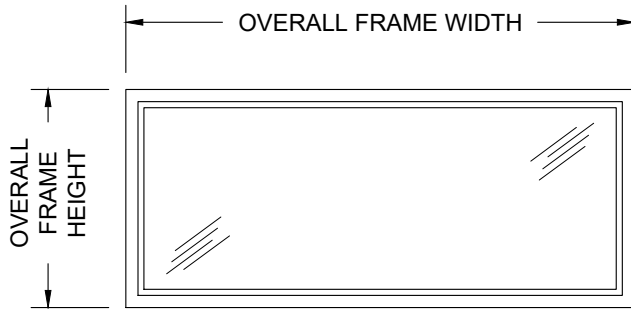


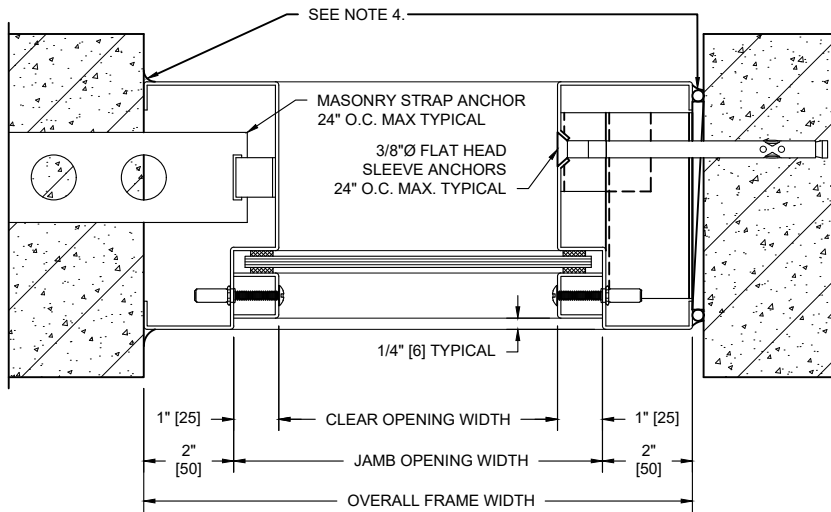
**MODEL NO. 3492273 / STC 34 / SINGLE GLAZED / SOUND CONTROL FIXED WINDOW ASSEMBLY / NEOPRENE GLAZING**



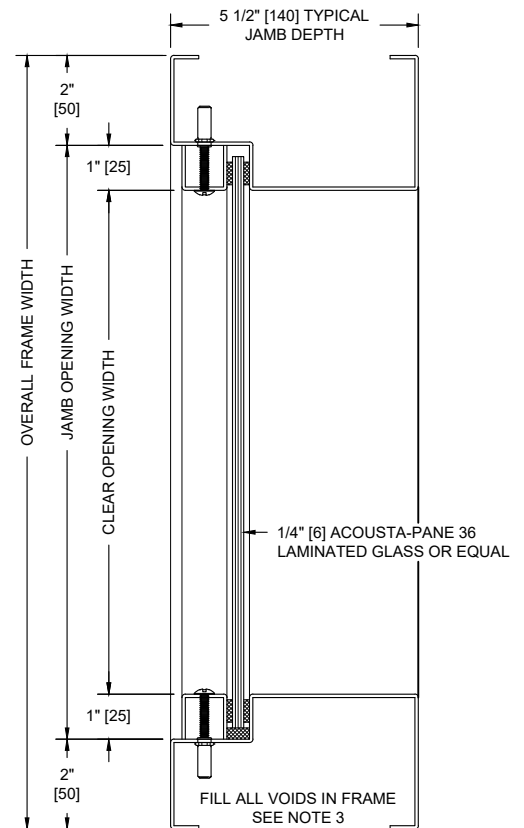
**ELEVATION**

**NOTES:**

1. All exposed surfaces of frame to receive one coat of rust inhibitive prime paint.
2. Unit weight, including frame, glass, and glazing, is 4.8 pounds per square foot.
3. Frames equipped with masonry anchors must be grouted full in field. Bolt-in type frames must have all voids in head, jambs, and sill packed with 6 to 12 pound density mineral wool.
4. All voids between wall and frame must be continuously caulked.



**HORIZONTAL SECTION**



**VERTICAL SECTION**

SOUND TRANSMISSION LOSS IN dB AT FREQUENCY / HERTZ																	
100	125	160	200	250	315	400	500	630	800	1000	1250	1600	2000	2500	3150	4000	5000
26	27	26	25	25	26	28	29	32	35	36	37	38	37	36	37	40	43

ALL DIMENSIONS BOTH IN INCHES AND MILLIMETERS