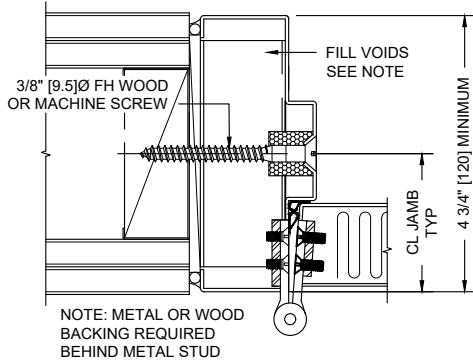


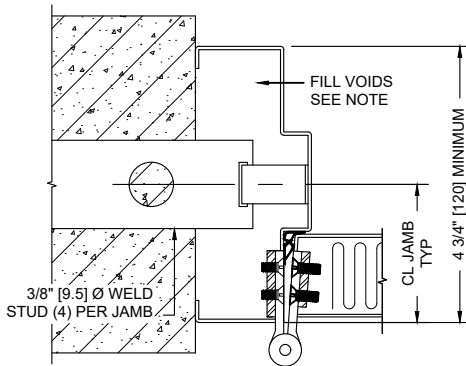
TYPICAL SOUND CONTROL WALL ANCHORAGE SYSTEMS FOR 1-3/4" NOM. THICK METAL ACOUSTICAL DOOR WITH DOUBLE BUBBLE PERIMETER SEALS

NOTES:

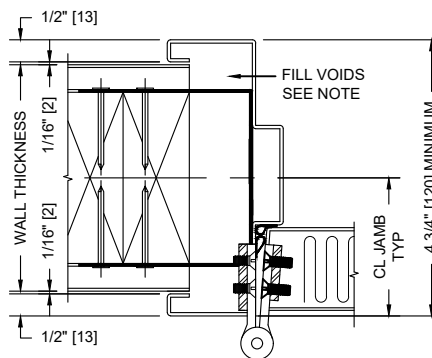
1. Head and jambs of frames equipped with masonry anchors must be grouted full in field. Bolt-in type frames must have all voids in head and jambs packed with 6 to 12 pound density mineral wool and all voids between wall and frame continuously caulked.
2. For anchorage systems used in all steel or wood stud walls, it is recommended a structural tube or reinforced stud is run from and anchored to floor slab and ceiling structure above.
3. Custom frame profiles and anchorages available. Consult factory with your specific project needs.



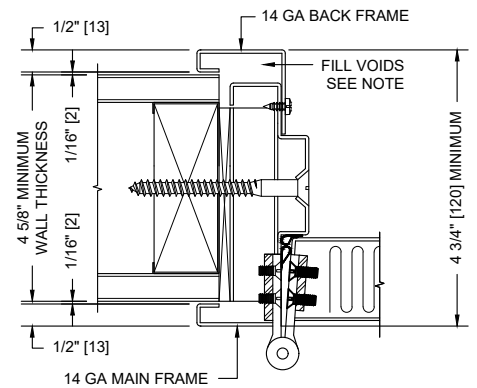
BOLT-IN INSTALLATION IN EXISTING STUD WALL



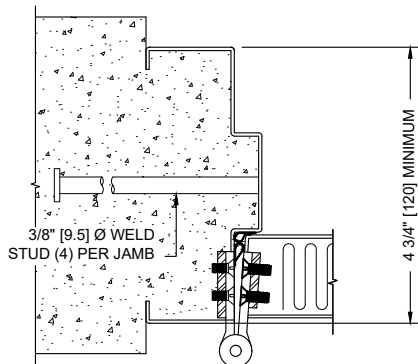
BUILT-IN INSTALLATION IN NEW MASONRY WALL



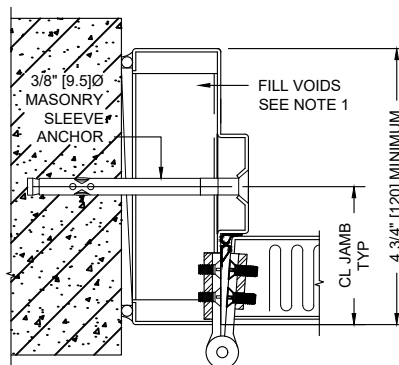
NAILING CLIP INSTALLATION IN NEW WOOD STUD WALL



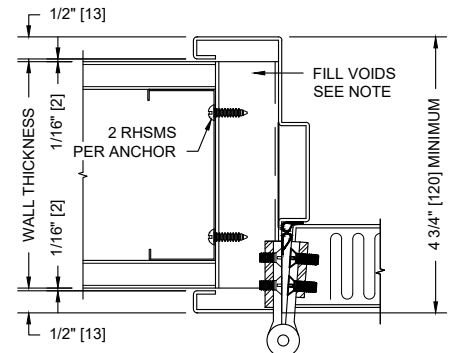
OPTIONAL SPLIT TYPE FRAME FOR BOLT IN INSTALLATION IN EXISTING STUD WALL



BUILT IN INSTALLATION IN NEW POURED CONCRETE WALL



BOLT IN INSTALLATION IN EXISTING POURED CONCRETE WALL OR EXISTING MASONRY WALL



BUILT-IN INSTALLATION IN NEW STUD WALL

ALL DIMENSIONS BOTH IN INCHES AND MILLIMETERS