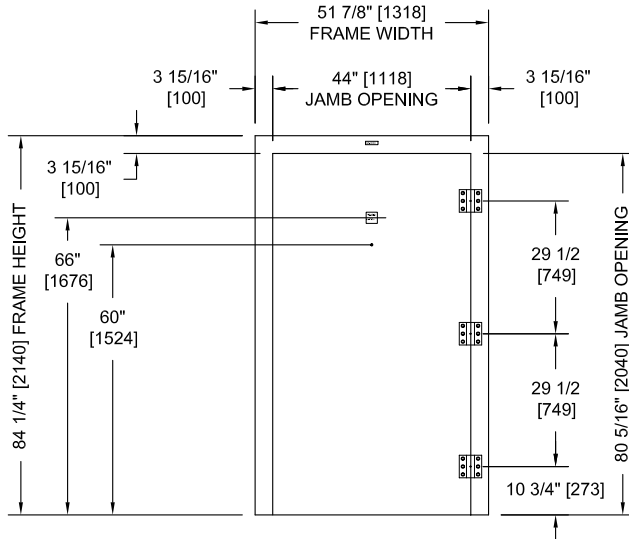
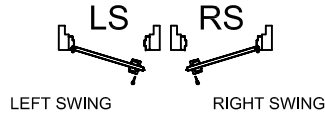


**MODEL NO. C5V-IR / CLASS 5 VAULT DOOR AND FRAME ASSEMBLY
TYPE IR, DESIGN B, RIGHT SWING WITH OPTICAL DEVICE, NO EXTERIOR HARDWARE**

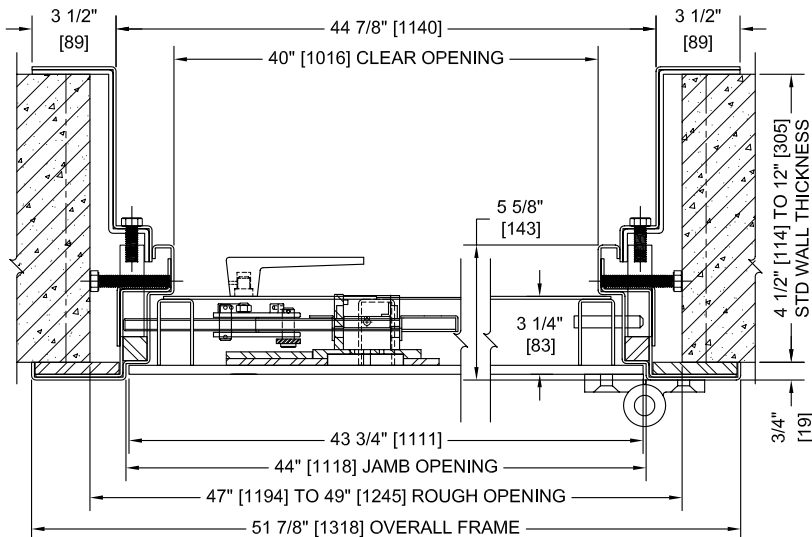


PUBLIC SIDE ELEVATION

SECURE AREA (INTERIOR)



**(KEY) SIDE
PUBLIC AREA (EXTERIOR)**



HORIZONTAL SECTION

Overly's Class 5 Security Vault Doors have been tested and approved under upgraded federal specification AA-D-600D

Shipping Weight: 1,395 lb
Net Weight: 1,225 lb

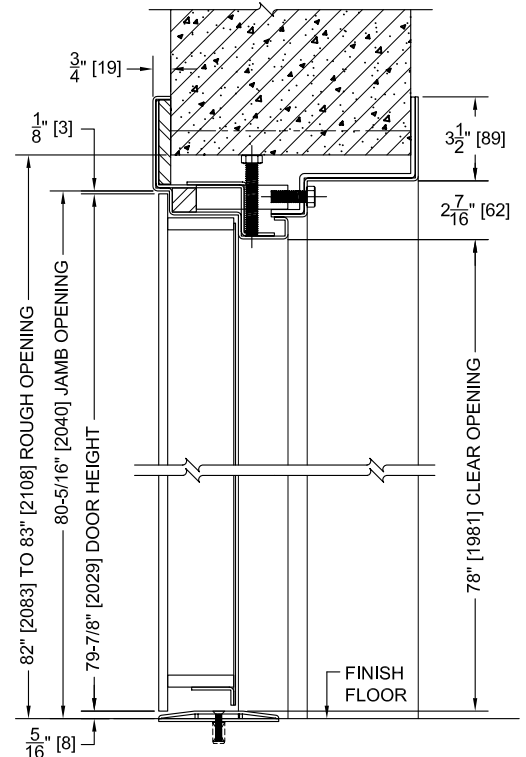
| | |
|-----------|--|
| 20 | MAN-HOURS AGAINST SURREPTITIOUS ENTRY |
| 30 | MAN-MINUTES AGAINST COVERT ENTRY |
| 10 | MAN-MINUTES AGAINST FORCED ENTRY |
| 20 | MAN-HOURS AGAINST MANIPULATION OF LOCK |
| 20 | MAN-HOURS AGAINST RADIOLOGICAL ATTACK |

INFORMATION WE NEED TO PROCESS YOUR ORDER

1. Contract or Purchase Order Number.
2. National Stock Number.
3. Wall Thickness.
4. Swing of Day Gate (if required).
5. Packing Level A or Level C. Level C Commercial Level is Standard.
If Level A Military Export is Required, Please Specify.

STANDARD HARDWARE PACKAGE

- 3 Overly P-800 Hinges
- 1 Optical Device (Peep Site)



VERTICAL SECTION