

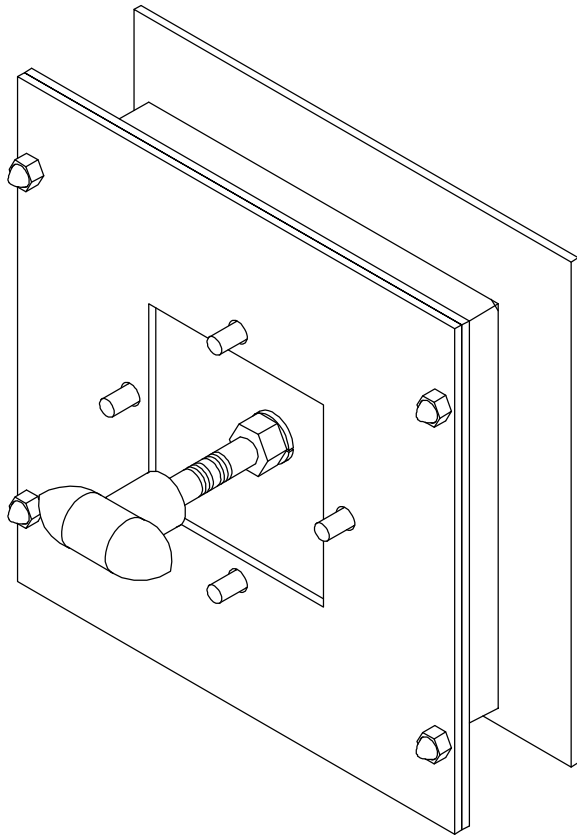
SERIES

PRV

OVERLY DOOR COMPANY

574 WEST OTTERMAN STREET
POST OFFICE BOX 70
GREENSBURG, PA 15601-0070
TELEPHONE: 724-834-7300
FAX: 724-830-2871

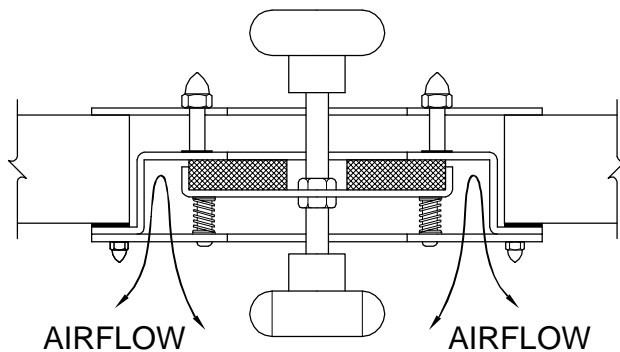
DIFFERENTIAL PRESSURE RELIEF VENT FOR 1 3/4" THICK DOOR



NOTES:

1. Helps equalize HVAC differential pressure acting on the door face to make operation easier.
2. Flow Rate: 210 SCFM
3. Door Preparation: Requires 5" (127) wide x 5" (127) tall cutout in door face.
4. 3 Hour UL10B / UL10C / UBC 7.2 Fire Rating.
5. Unit is supplied with all necessary mounting and sealing hardware.
6. Durable black powder-coated finish.

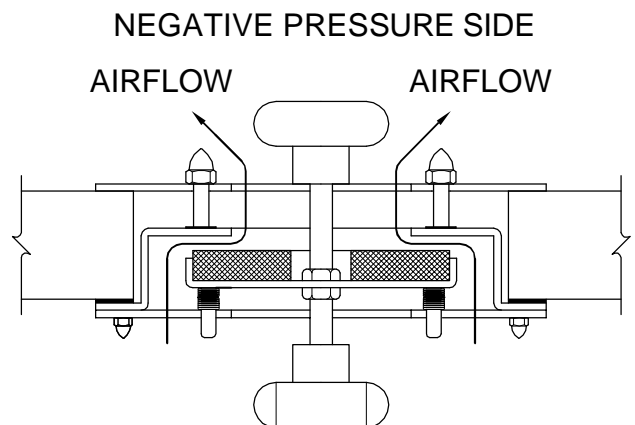
NEGATIVE PRESSURE SIDE



POSITIVE PRESSURE SIDE

SEALED CONDITION

PUSH TO OPEN



POSITIVE PRESSURE SIDE

PULL TO OPEN

OPEN CONDITION