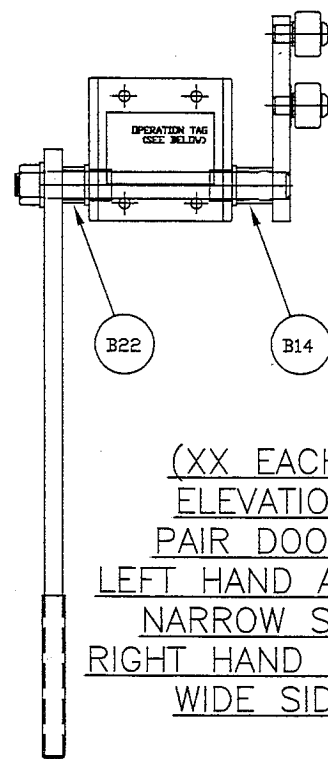
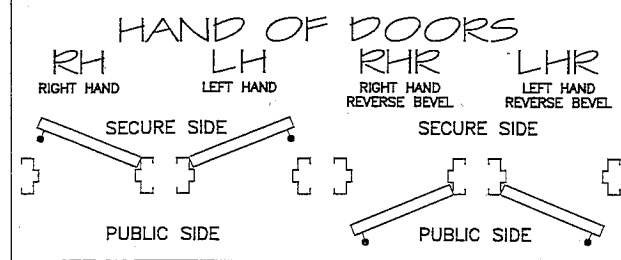
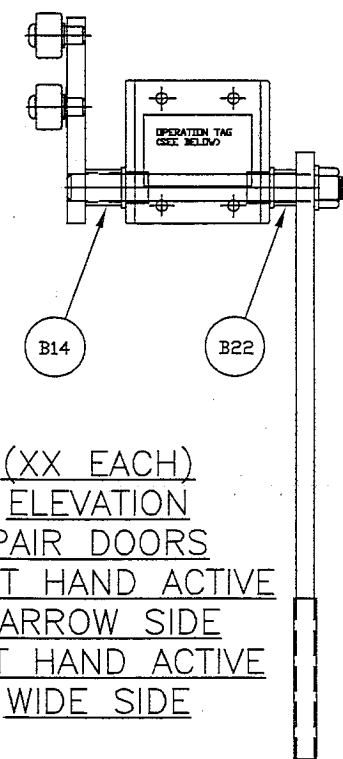


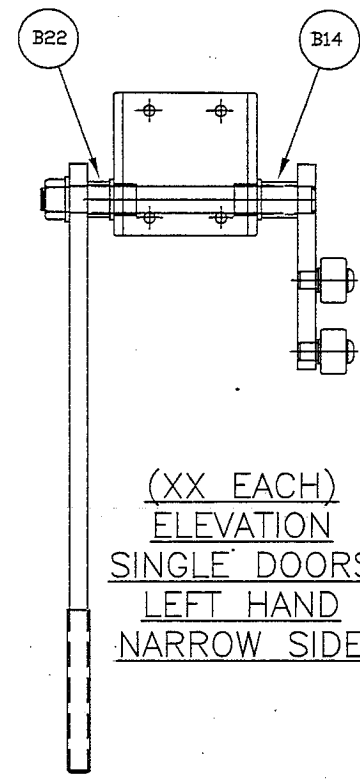
FABRICATION RELEASE	REV. 0	DESCRIPTION	REV. 1	DESCRIPTION	TOLERANCES UNLESS OTHERWISE NOTED ANGLES ± 1/2° FRACTIONS ± 1/16" 1 PLACE DEC. ± .050 2 PLACE DEC. ± .010 3 PLACE DEC. ± .005 SCALE: 1" = 4"	DESCRIPTION BREAKER BAR ASSEMBLY	NOTICE THIS DRAWING AND ITS DESIGN ARE THE PROPERTY OF THE OVERLY MANUFACTURING COMPANY. THIS DRAWING IS LOANED TO YOU SUBJECT TO THE CONDITION THAT IT SHALL NOT BE REPRODUCED, COPIED, LOANED OR OTHERWISE DISPOSED OF DIRECTLY OR INDIRECTLY. IT SHALL NOT BE USED TO FURNISH ANY INFORMATION FOR THE MAKING OF DRAWINGS, PRINTS OR APPARATUS, OR PARTS THEREOF, EXCEPT WHERE OTHERWISE SPECIFICALLY PROVIDED FOR BY CONTRACT AGREEMENT WITH OVERLY MANUFACTURING COMPANY.	574 WEST OTTERMAN STREET GREENSBURG, PA. 15601-0070 TELEPHONE: (724) 834-7300 FAX: (724) 830-2872	S.D. NO. XXXX-00
PREPARED BY / DATE	LJG 08/30/02			NEXT OPERATION HANDING ELEVATIONS		J.D. NO. XXXX-BB			
ENG. REVIEW BY / DATE	LJG 08/30/02					SHEET P1 OF 1			



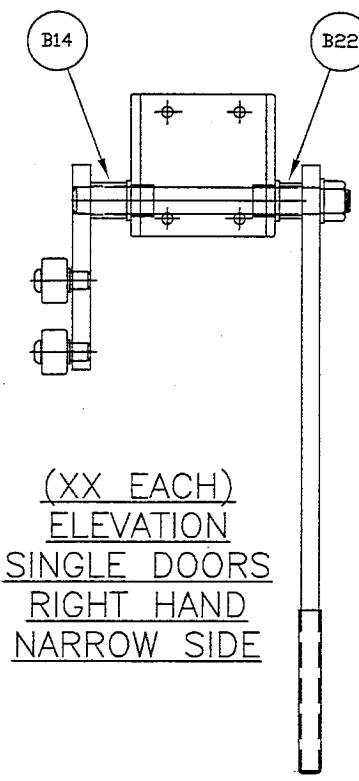
(XX EACH)
ELEVATION
PAIR DOORS
LEFT HAND ACTIVE
NARROW SIDE
RIGHT HAND ACTIVE
WIDE SIDE



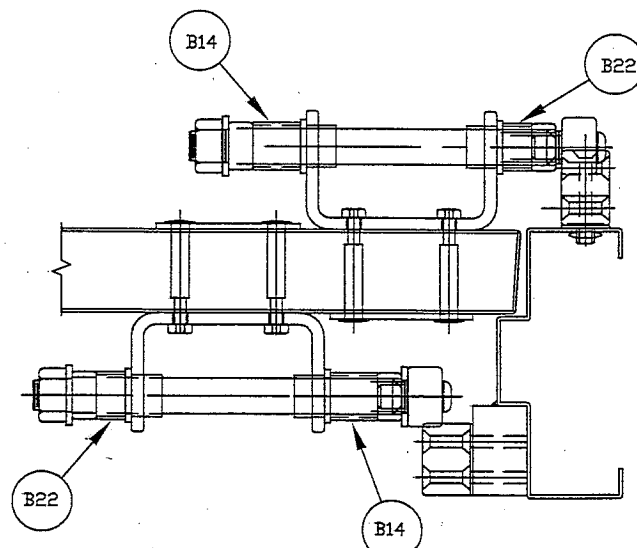
(XX EACH)
ELEVATION
PAIR DOORS
RIGHT HAND ACTIVE
NARROW SIDE
LEFT HAND ACTIVE
WIDE SIDE



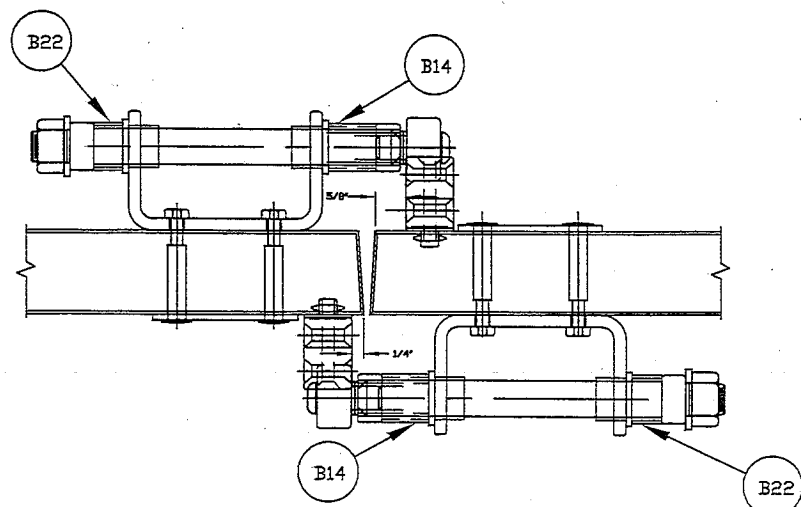
(XX EACH)
ELEVATION
SINGLE DOORS
LEFT HAND
NARROW SIDE



(XX EACH)
ELEVATION
SINGLE DOORS
RIGHT HAND
NARROW SIDE



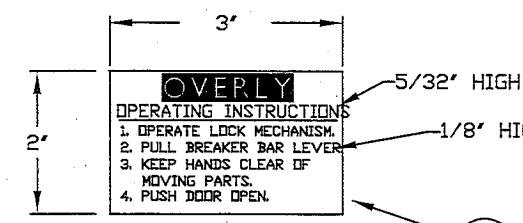
SECTION AT BREAKER BARS
FOR LEFT HAND SINGLE DOOR



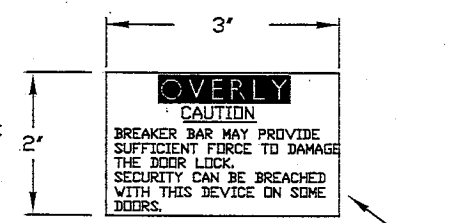
SECTION THROUGH BREAKER BARS
AT LEFT HAND ACTIVE PAIR OF DOORS

NOTES:

- HANDING OF BREAKER BARS IS AS SHOWN FOR SINGLES OR PAIRS IF HAND OF BREAKER BAR IS NOT CORRECT REVERSE HAND AS SHOWN
- INSTALL ONE OPERATING TAG ON FRONT OF CHANNEL AS SHOWN
INSTALL ONE CAUTION TAG ON BACK OF CHANNEL
INSTALL ONE FIRE LABEL ON SIDE OF CHANNEL



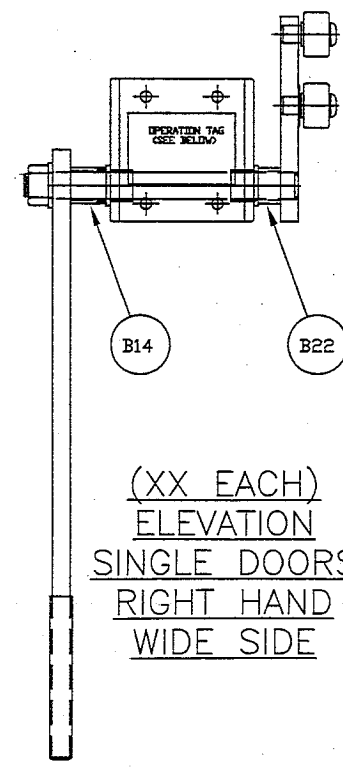
OPERATING TAG
.024" THICK ALUMINUM ADHESIVE BACKED
SILVER BACKGROUND WITH BLACK LETTERS



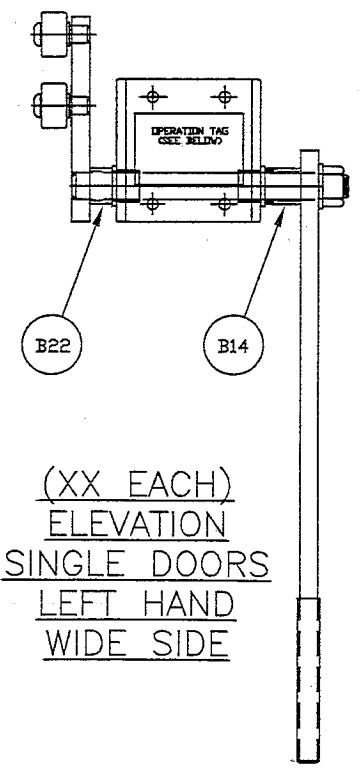
CAUTION TAG
MYLOR ADHESIVE BACKED
SILVER BACKGROUND WITH BLACK LETTERS
LOCATED ON BACK OF MOUNTING BRACKET



FIRE LABEL TAG
MYLOR ADHESIVE BACKED
SILVER BACKGROUND WITH BLACK LETTERS
LOCATED ON SIDE OF MOUNTING BRACKET



(XX EACH)
ELEVATION
SINGLE DOORS
RIGHT HAND
WIDE SIDE



(XX EACH)
ELEVATION
SINGLE DOORS
LEFT HAND
WIDE SIDE

DETAIL SHEET