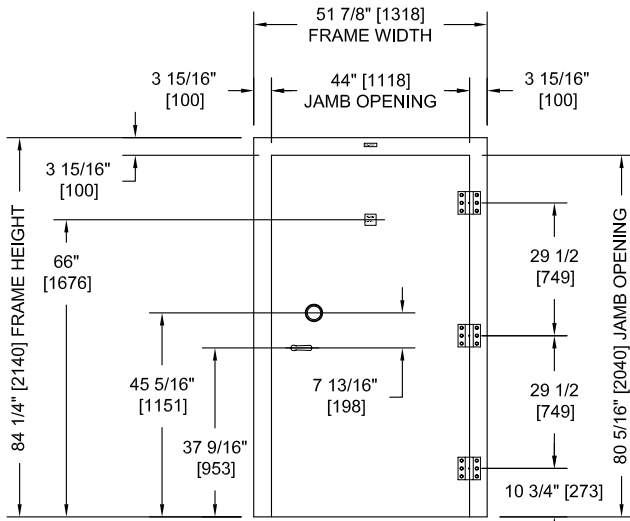
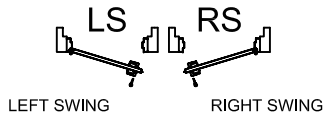


MODEL NO. C5V-IIR-K / CLASS 5 VAULT DOOR AND FRAME ASSEMBLY TYPE IIR, STYLE K, DESIGN S, RIGHT SWING WITHOUT OPTICAL DEVICE

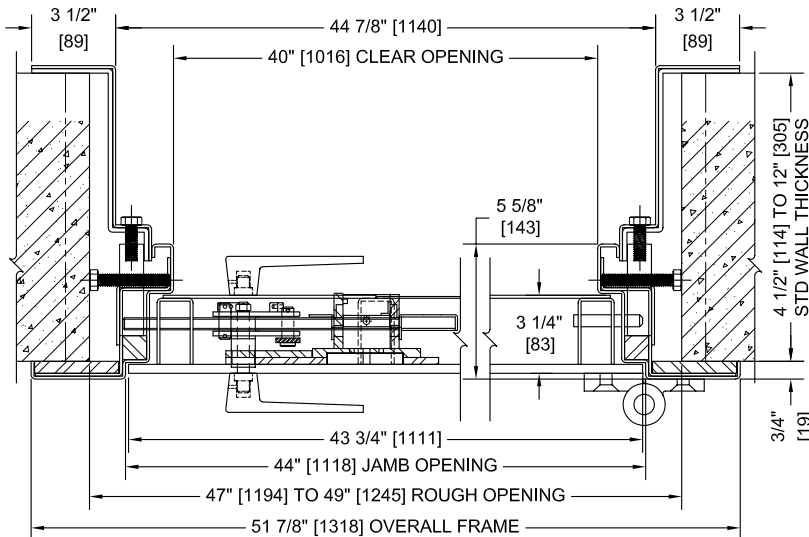


PUBLIC SIDE ELEVATION

SECURE AREA (INTERIOR)



(KEY) SIDE PUBLIC AREA (EXTERIOR)



HORIZONTAL SECTION

Overly's Class 5 Security Vault Doors have been tested and approved under upgraded federal specification AA-D-600D

Shipping Weight: 1,395 lb
Net Weight: 1,225 lb

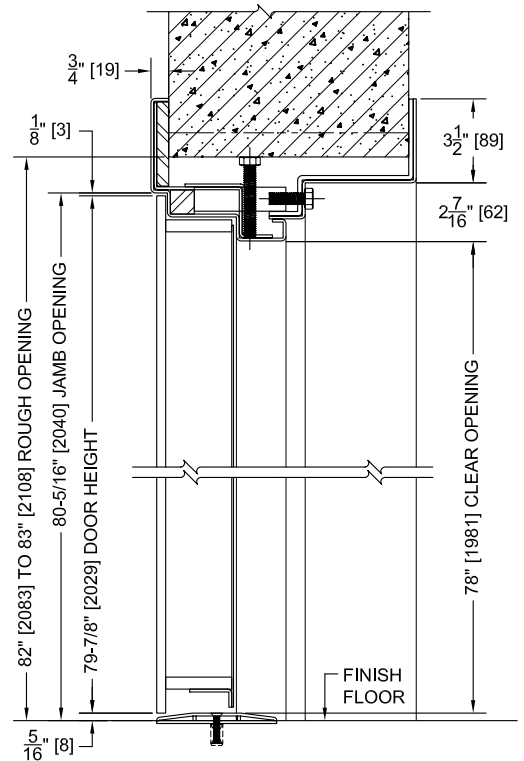
20	MAN-HOURS AGAINST SURREPTITIOUS ENTRY
30	MAN-MINUTES AGAINST COVERT ENTRY
10	MAN-MINUTES AGAINST FORCED ENTRY
20	MAN-HOURS AGAINST MANIPULATION OF LOCK
20	MAN-HOURS AGAINST RADIOLOGICAL ATTACK

INFORMATION WE NEED TO PROCESS YOUR ORDER

1. Contract or Purchase Order Number.
2. National Stock Number.
3. Wall Thickness.
4. Swing of Day Gate (if required).
5. Packing Level A or Level C. Level C Commercial Level is Standard.
If Level A Military Export is Required, Please Specify.

STANDARD HARDWARE PACKAGE

- 1 Kaba-Mas X-10 Combination Lock
- 3 Overly P-800 Hinges
- 1 Exterior Lever Handle



VERTICAL SECTION