

# STC50 Single Magnetic Seal Quick Ship Acoustical Metal Door and Frame Order Sheet



574 West Otterman Street ■ Greensburg, PA 15601  
Phone: 800-979-7300 ■ Fax: 724-830-2871

Customer: \_\_\_\_\_ Approved By: \_\_\_\_\_  
 Job Name: \_\_\_\_\_ Date: \_\_\_\_\_  
 Location: \_\_\_\_\_ Overly SO#: \_\_\_\_\_  
 Customer PO: \_\_\_\_\_ Overly JO#: \_\_\_\_\_  
 Mark #'s: \_\_\_\_\_

**Receipt of Purchase Order to Shipment:**

10 Day     15 Day     20 Day

**Swing Chart**

Secure Side (Interior)



Public "Key" Side (Exterior)

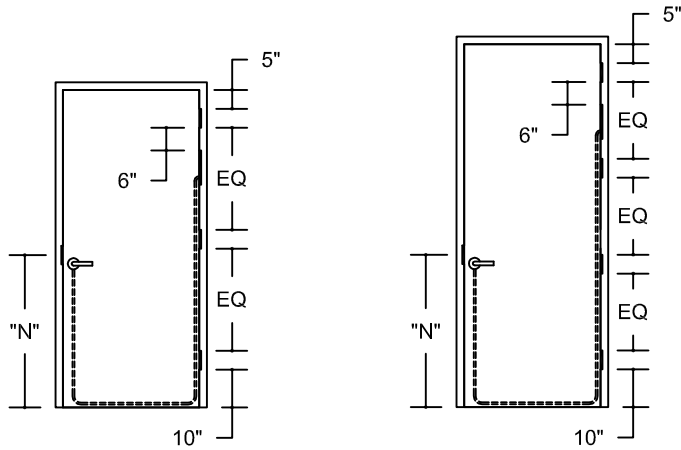
LHR    RHR    LH    RH  
           

**Available Hardware Preps:**

- |   |                                  |
|---|----------------------------------|
| <input type="checkbox"/> Government 161 Cylindrical Lock (3-3/4" Backset) | <b>"N"</b><br>40-5/16" CL Strike |
| <input type="checkbox"/> ANSI 86 Mortise Lock*                            | 40-5/16" CL Strike               |
| <input type="checkbox"/> ANSI 86 Mortise Panic*                           | 40-5/16" CL Strike               |
| <input type="checkbox"/> Rim Panic*                                       | (Per Template)                   |
| <input type="checkbox"/> LKM 10K* Model No. _____                         | (Per Template)                   |
| <input type="checkbox"/> S&G 2890B Lever X Lever                          | 41-1/2" CL Strike                |
| <input type="checkbox"/> S&G 2890B Lever X Panic Bar                      | 41-1/2" CL Strike                |
| <input type="checkbox"/> CDX-10 Auxiliary Lock* (20 Min. Max Fire Rating) | 48" CL Spin Dial                 |

\*Note: All Function Holes Drilled In Field By Installer

**Available Jamb Opening Sizes:**



- |                                    |                                    |
|------------------------------------|------------------------------------|
| <input type="checkbox"/> 36" X 84" | <input type="checkbox"/> 36" X 96" |
| <input type="checkbox"/> 48" X 84" | <input type="checkbox"/> 48" X 96" |

**Rough Opening Calculation**

Width = JOW + 3"                      Height = JOH + 1-1/2"

**Optional Positive Pressure Fire Ratings:**

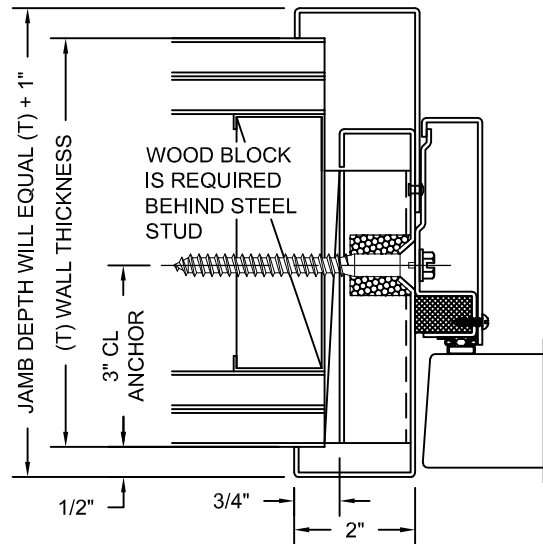
- |                                      |                                     |
|--------------------------------------|-------------------------------------|
| <input type="checkbox"/> Not Labeled | <input type="checkbox"/> 45 Minutes |
| <input type="checkbox"/> 1-1/2 Hours | <input type="checkbox"/> 20 Minutes |

Note: Fire rating availability subject to UL approval of lock selected unless pre-approved by Local Authority Having Jurisdiction.

**Standard Features:**

- STC 50 Flush Door (No Vision Light)
- Overly Model STC5012016
- Carbon Steel With Overly Standard Prime Finish
- MCL-500 Cam-Lift Hinges, As Cast
- Single Magnetic Frame Gaskets, Super "H" Door Bottom
- Reese S105A 1/2" High Threshold Included
- 2-Piece Split Frame Design
- Von Duprin EPT Prep With Filler Plate
- Conduit From EPT To Lock or Tail End of Panic Device
- Bolt-In Frame Anchorage For Masonry or Drywall
- Surface Mounted Closer Reinforcement & Mounting Brackets
- 4-7/8" ASA Strike Preparation For Cylindrical, Mortise, or Mortise Panic Locks

**Frame Information:**



**Steel/Wood Stud Shown; Masonry Available Also**

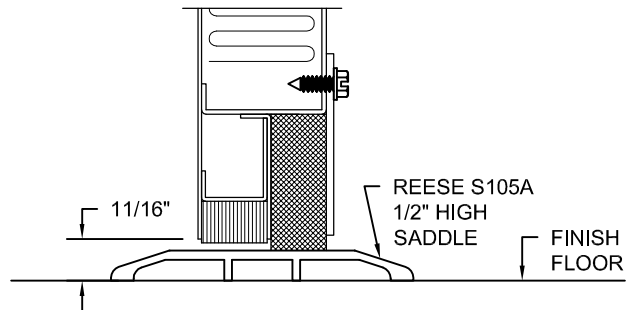
**Available Frame Anchors**

- 3/8"Ø Masonry Expansion Anchors  
 #24 Wood Stud Screw Anchors

**Wall Thickness**

(T): \_\_\_\_\_  
 Note Minimum (T): 4-7/8"  
 Note Maximum (T): 11"

**Sill Information:**



**Ship To Address:**

\_\_\_\_\_  
 \_\_\_\_\_  
 \_\_\_\_\_